

NOTES

- Installation should be completed by an individual familiar with the construction and operation of the luminaire.
- Installation of luminaire must be in accordance with nation and local building and electrical codes.
- Carefully read and follow all warnings and instructions before installing or servicing the luminaire.
- Instructions do not cover all details and all possible product configurations
- Do not restrict luminaire ventilation.
- Ensure LED luminaire is not covered with material that will prevent convection or conduction cooling.
- Do not exceed luminaire's maximum ambient temperature.
- Ensure LED luminaire has the correct polarity before installation.
- Based on maximum voltage restrictions for class 2 circuits in Canadian Electrical Code, the output cannot be accessible. This product has accessible output terminals. This product complies with this requirement since the installation instruction requires installation in Restricted Access Area.

WARNINGS

Electric shock:

- Disconnect or turn off power before installing or servicing luminaire.
- All electrical wiring to be completed by a qualified licensed electrician in accordance with local and National/Canadian Electrical Code.
- Ensure supply voltage corresponds with the correct ballast/driver voltage.
- Avoid exposing wiring to metal edges and sharp objects.
- Ensure that the luminaire is properly grounded to prevent electric hazards.

Fire:

- Keep flammable and combustible materials away from the light source and/or lens.
- Use correctly rated supply conductors as indicated by product labeling.
- Follow all markings for fixture spacing from adjacent fixtures and building members.

Burn:

- Allow luminaire to cool before handling luminaire.

Personal Injury:

- Wear safety glasses and gloves when handling the luminaire to avoid physical injury.
- Avoid direct eye contact with light source.
- Always support the weight of the luminaire.

Manufacturer is not responsible for any injuries due to the improper installation or handling of its products.

- Refer to sheet IIS00262 for Gasket Installation.

Hard Ceiling Flange

Note:

The models requires an accurate cutout of the luminaire opening. It is essential that the opening room side edge be flat to ensure the integrity of the seal.

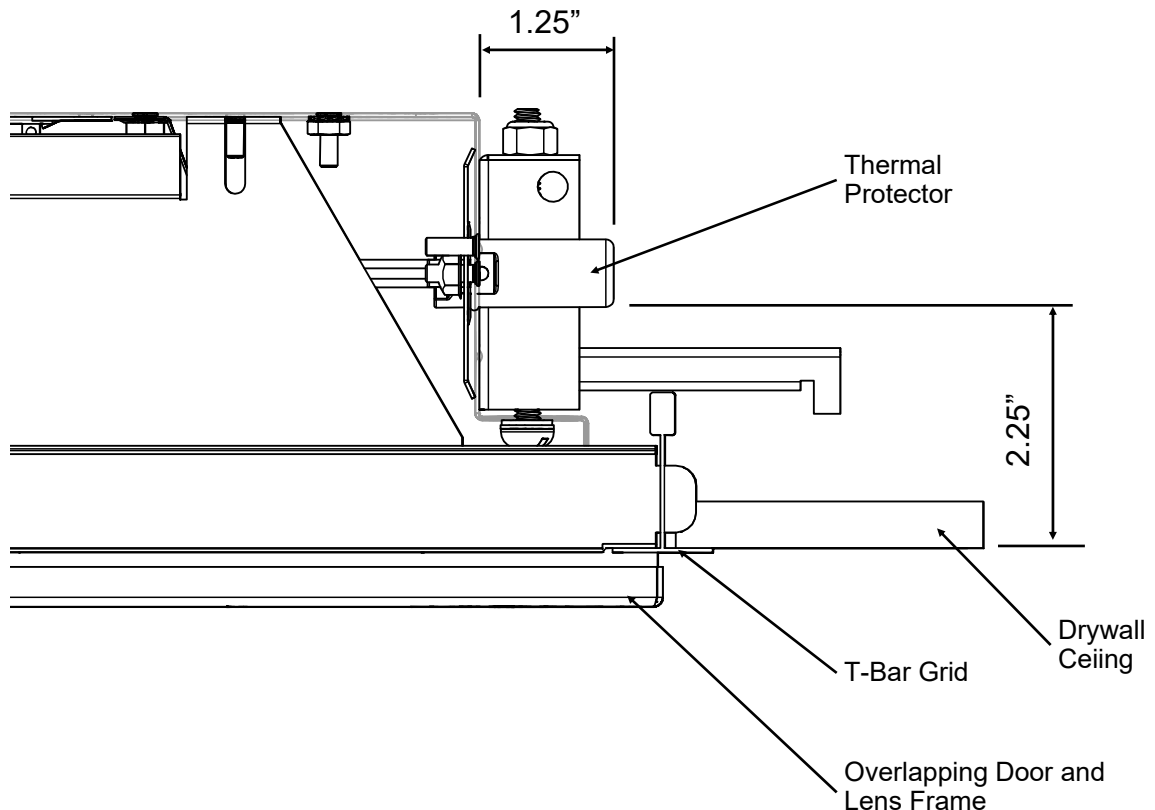
Use 1-5/8 Unistrut (not included) or equivalent support beams on all four sides above the opening edge. The support structure should be suitably rigid and secured to support the weight of the luminaire. (*Minimum thickness of ceiling and framing is 1 1/2", maximum is 2 3/4"*).

Only qualified electricians should make the electrical connections and should ensure that all Building and Safety code requirements are observed.

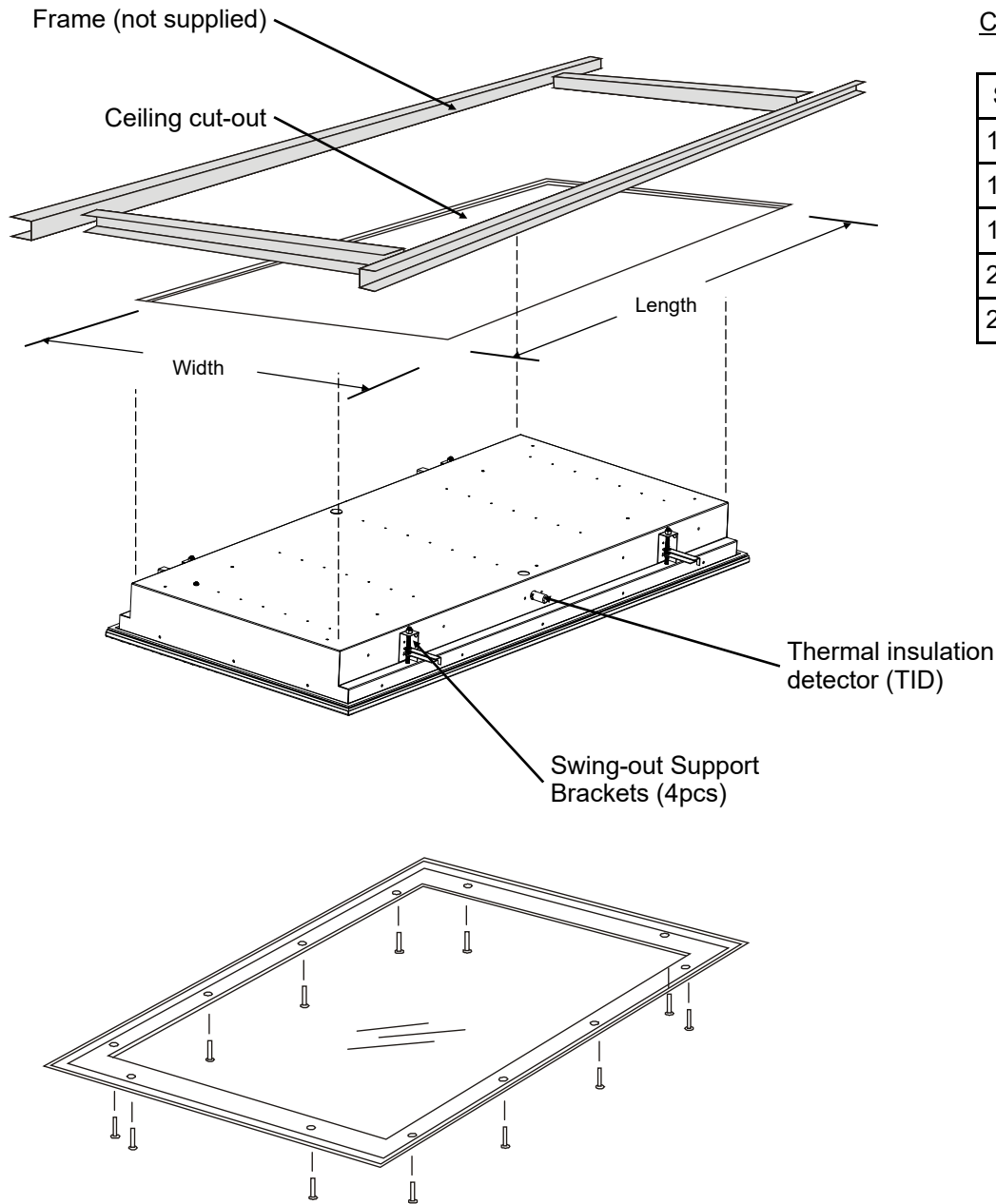
When supplied with white + red or white + green LEDs, are to be separately switched externally. Also they are NOT to be operated simultaneously.

Mounting:

1. Disconnect electrical power intended to be connected to the luminaire.
2. Locate and cut the required opening in the ceiling.
3. Install and secure the required support structure.
4. Remove the door and lens assembly by loosening all perimeter screws. Disconnect hinge cables from the housing side by sliding along the slot to the open hole. Set aside for use in step 8.
5. Insert the luminaire into the ceiling then extend the swing-out brackets above the support structure. Tighten all swing-out brackets to ensure a tight and continuous seal on the room side of the opening.
6. Remove the cover and make the electrical connections to the power supply.
7. Notice: Failure to perform this step may cause fixture to malfunction. See ** below) Insert the Thermal insulation detector (TID) through the provided hole in the housing side and secure with the hardware provided. Make sure the gasket is contacting the housing. (**When installed, be sure that there is nothing contacting the TID and nothing that will entrap heat. Improper installation may cause the fixture to blink. If this occurs, please review these steps).
8. Replace the cover.
9. Reinstall the door and lens assembly, making sure to reconnect the hinge cables to their slots and securing with screws. **IMPORTANT:** Start screws by hand to avoid cross-threading and damaging the hardware. Tighten to a maximum torque at 10in-lbs. Verify that the door gasket is in continuous contact with the ceiling surface (CRUo-Mx only).



Hard Ceiling Flange Cont'd



Ceiling Cut-Out Dimensions:

Size	Width	Length
1x2	10-7/8 in.	22-7/8 in.
1x3	10-7/8 in.	34-7/8 in.
1x4	10-7/8 in.	46-7/8 in.
2x2	22-7/8 in.	22-7/8 in.
2x4	22-7/8 in.	46-7/8 in.

Recessed Grid (T-Bar)

1. Fixture is designed for use with 1 1/2" T-bar grid systems with vertical grid T thickness of less than 1/4" with a maximum height of 1 1/2". Grid systems can be installed standard 12, 24 or 48" centerline spacing of grid.
2. Fixture housing lays into grid. Ensure four (4) swing arms are in the stowed position as shown. If securing fixture to the superstructure with hanger wire (by others) loop wire through holes on swing arm attach bracket. Position door frame into housing opening and start all screws by hand. Tighten all screws to seal door frame to fixture, **but do not over-tighten to cause deformation of door frame.**

