

# VRSE-5 Surface Mounting Instructions

ERP: IIS00358  
10-24-2022 Rev 1.0

## NOTES

- Installation should be completed by an individual familiar with the construction and operation of the luminaire.
- Installation of luminaire must be in accordance with nation and local building and electrical codes.
- Carefully read and follow all warnings and instructions before installing or servicing the luminaire.
- Instructions do not cover all details and all possible product configurations
- Do not restrict luminaire ventilation.
- Ensure LED luminaire is not covered with material that will prevent convection or conduction cooling.
- Do not exceed luminaire's maximum ambient temperature.
- Ensure LED luminaire has the correct polarity before installation.
- This product has maximum rated output of 56Vdc. This output complies with the definition of Class 2 per Canadian Electrical Code. This output cannot be accessible based on maximum voltage restrictions for Class 2 circuits in Canadian Electrical Code. This product complies with this requirement since the installation instruction requires installation in restricted access area.

## WARNINGS

### Electric shock:

- Disconnect or turn off power before installing or servicing luminaire.
- All electrical wiring to be completed by a qualified licensed electrician in accordance with local and National/Canadian Electrical Code.
- Ensure supply voltage corresponds with the correct ballast/driver voltage.
- Avoid exposing wiring to metal edges and sharp objects.
- Ensure that the luminaire is properly grounded to prevent electric hazards.

### Fire:

- Keep flammable and combustible materials away from the light source and/or lens.
- Use correctly rated supply conductors as indicated by product labeling.

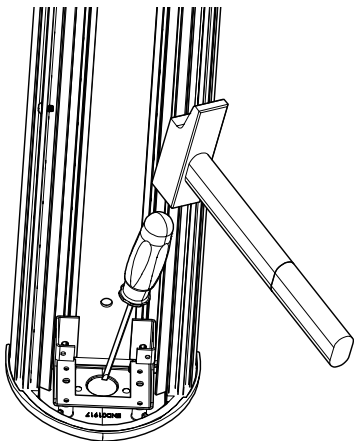
### Burn:

- Allow luminaire to cool before handling luminaire.

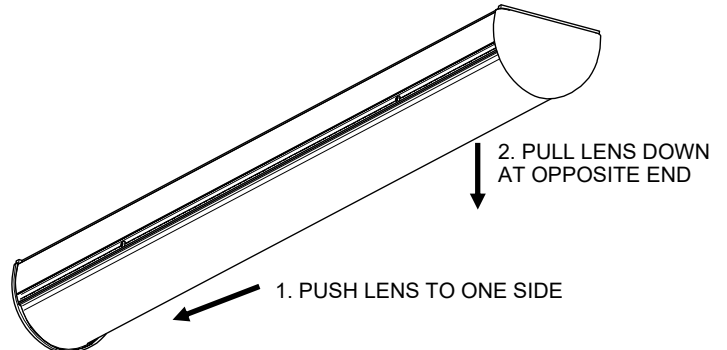
### Personal Injury:

- Wear safety glasses and gloves when handling the luminaire to avoid physical injury.
- Avoid direct eye contact with light source.
- Always support the weight of the luminaire.

Manufacturer is not responsible for any injuries due to the improper installation or handling of its products.

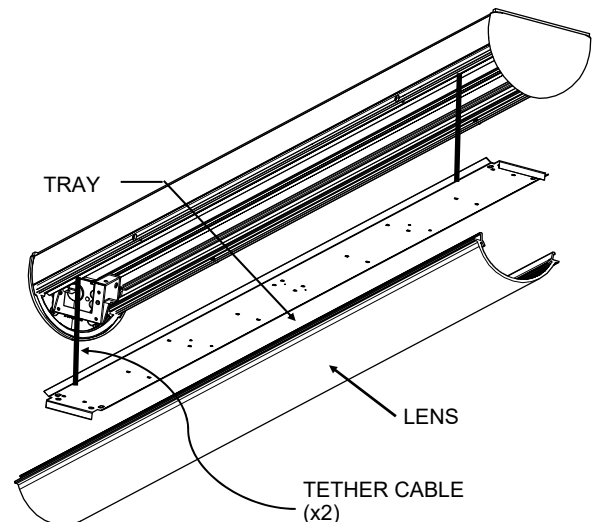


Place fixture on end flat onto sturdy surface. Apply force to area as shown, until the material breaks away leaving a clean cut hole.



## INSTRUCTIONS:

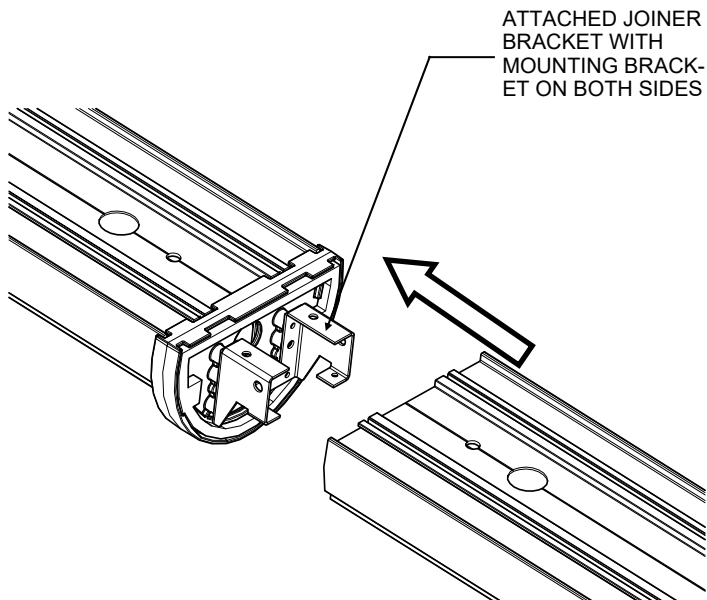
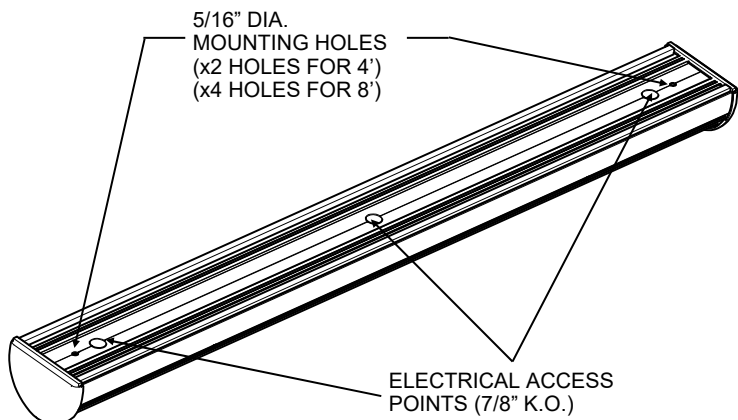
1. Disconnect main power.
2. To remove lens, loosen several turns to disengage lens (4x lens screws Torx T-15 drive with security pin).
3. Apply pressure to push lens into one end. Pull lens away from housing at opposite end.
4. Hinge LED tray by tether cables for ease of installation.
5. Mount fixture to surface at specified mounting holes using hardware provided by others.
6. There are 3x Ø .875" knock-outs provided for electrical wire access. Bushing provided.
7. Make electrical connections within the housing body and secure to avoid wire damage during reassembly.
8. Reinstall LED tray and secure.
9. Install lens by inserting it into the housing slots and applying pressure to the gasket by pushing it into one endplate, making sure lens is in slots, snapping it in place.
10. Tighten lens screws with moderate pressure. Do not over tighten.
11. Continue to install next fixture in row following instruction for row mounting on next page.



# VRSE-5 Surface Mounting Instructions

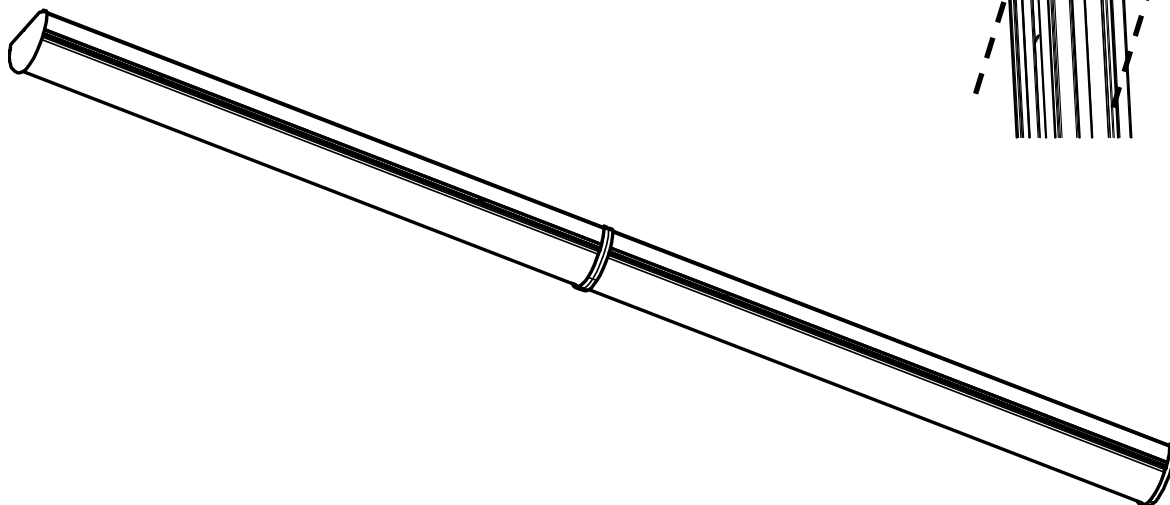
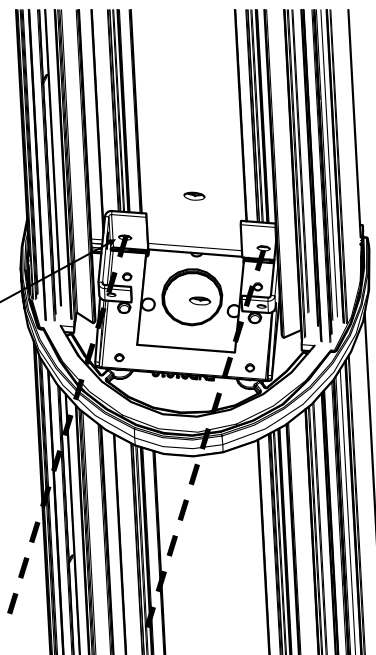
ERP: IIS00358  
10-24-2022 Rev 1.0

## Row mounting at middle section



7. After the first fixture is mounted and secured. Slide next unit to compress the gasket inside the joiner. Secure with 2— #8-32 screws (provided) to bracket.

NOTE: INSTALL 2—#8-32 SCREWS TO MOUNTING BRACKET AND SECURE TO HOUSING



Installation is complete.