

**NOTES**

- Installation should be completed by an individual familiar with the construction and operation of the luminaire.
- Installation of luminaire must be in accordance with nation and local building and electrical codes.
- Carefully read and follow all warnings and instructions before installing or servicing the luminaire.
- Instructions do not cover all details and all possible product configurations
- Do not restrict luminaire ventilation.
- Ensure LED luminaire is not covered with material that will prevent convection or conduction cooling.
- Do not exceed luminaire's maximum ambient temperature.
- Ensure LED luminaire has the correct polarity before installation.
- Based on maximum voltage restrictions for class 2 circuits in Canadian Electrical Code, the output cannot be accessible. This product has accessible output terminals. This product complies with this requirement since the installation instruction requires installation in Restricted Access Area.

**WARNINGS**

**Electric shock:**

- Disconnect or turn off power before installing or servicing luminaire.
- All electrical wiring to be completed by a qualified licensed electrician in accordance with local and National/Canadian Electrical Code.
- Ensure supply voltage corresponds with the correct ballast/driver voltage.
- Avoid exposing wiring to metal edges and sharp objects.
- Ensure that the luminaire is properly grounded to prevent electric hazards.

**Fire:**

- Keep flammable and combustible materials away from the light source and/or lens.
- Use correctly rated supply conductors as indicated by product labeling.

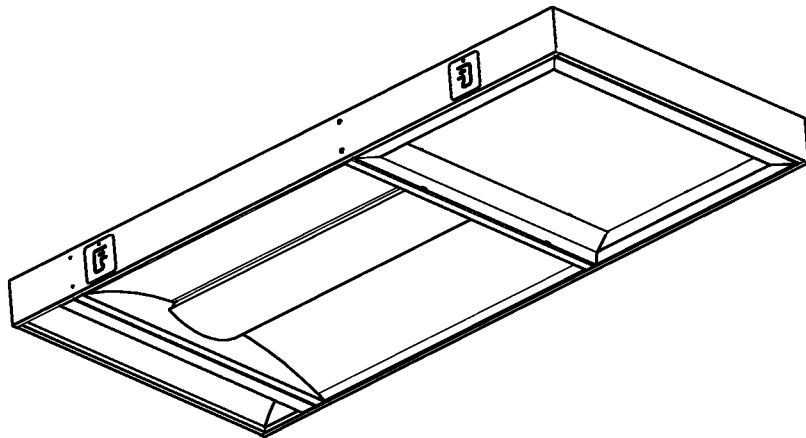
**Burn:**

- Allow luminaire to cool before handling luminaire.

**Personal Injury:**

- Wear safety glasses and gloves when handling the luminaire to avoid physical injury.
- Avoid direct eye contact with light source.
- Always support the weight of the luminaire.

Viscor is not responsible for any injuries due to the improper installation or handling of its products.

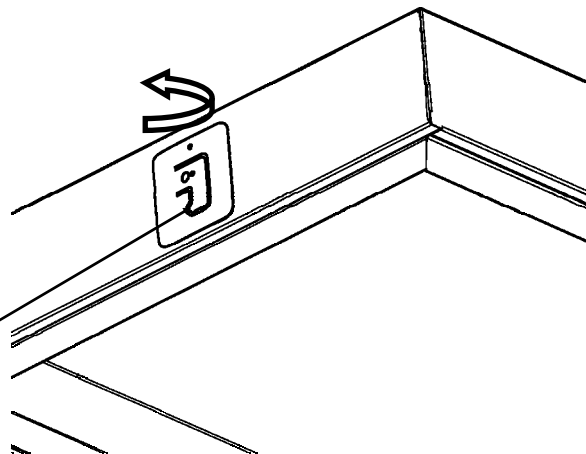


**INSTRUCTIONS:**

1. Angle the luminaire and lay into the T-bar ceiling grid and bend out corner tabs.
2. Secure luminaire with grid wire/chains to the structure above per local and/or national building codes.
3. Remove access plate and appropriate K.O.'s for attachment of electrical power feed cable connectors (by others).
4. Make the necessary wiring connections and ground connections per local and national electrical building codes.

Cleaning and Maintenance

1. Use a damp, lint-free cloth to wipe lens. Don not use solvents or cleaners containing abrasive agents. When cleaning the fixture, make sure the power is turned off, and any liquid spray should be applied to the cleaning cloth and not sprayed directly onto the fixture itself.



INTEGRAL EARTHQUAKE TABS THAT FOLD OUT, HOLE PROVIDED FOR INDEPENDENT CHAIN SUPPORT TO CEILING STRUCTURE ABOVE.