

NOTES

- Installation should be completed by an individual familiar with the construction and operation of the luminaire.
- Installation of luminaire must be in accordance with national and local building and electrical codes.
- Carefully read and follow all warnings and instructions before installing or servicing the luminaire.
- Instructions do not cover all details and all possible product configurations
- Do not restrict luminaire ventilation.
- Ensure LED luminaire is not covered with material that will prevent convection or conduction cooling.
- Do not exceed luminaire's maximum ambient temperature.
- Ensure LED luminaire has the correct polarity before installation.
- These products have maximum rated output voltage that exceeds the voltage limits that cannot be accessible based on voltage restrictions for Class 2 circuits in Canadian Electrical Code. This output complies with the definition of Class 2 per Canadian Electrical Code. This product complies with this requirement

WARNINGS

Electric shock:

- Disconnect or turn off power before installing or servicing luminaire.
- **Fixture should ONLY be powered on with access plate installed in fixture.**
- All electrical wiring to be completed by a qualified licensed electrician in accordance with local and National/Canadian Electrical Code.
- Ensure supply voltage corresponds with the correct ballast/driver voltage.
- Avoid exposing wiring to metal edges and sharp objects.
- Ensure that the luminaire is properly grounded to prevent electric hazards.
- Before powering up fixture, perform appropriate testing to ensure the fixture is properly grounded.

Fire:

- Keep flammable and combustible materials away from the light source and/or lens.

- Use correctly rated supply conductors as indicated by product labeling.

Burn:

- Allow luminaire to cool before handling luminaire.

Personal Injury:

- Wear safety glasses and gloves when handling the luminaire to avoid physical injury.
- Avoid direct eye contact with light source.
- Always support the weight of the luminaire.

Intended Use:

- Certain airborne contaminants can diminish integrity of acrylic and/or polycarbonate.
- Certain airborne contaminants may also adversely affect the functioning of LEDs and other electronic components, depending on various factors such as concentrations of the containments, ventilation, and temperature at the end-user location.
- Failure due to the effect of contaminants is not covered under our standard terms of warranty.

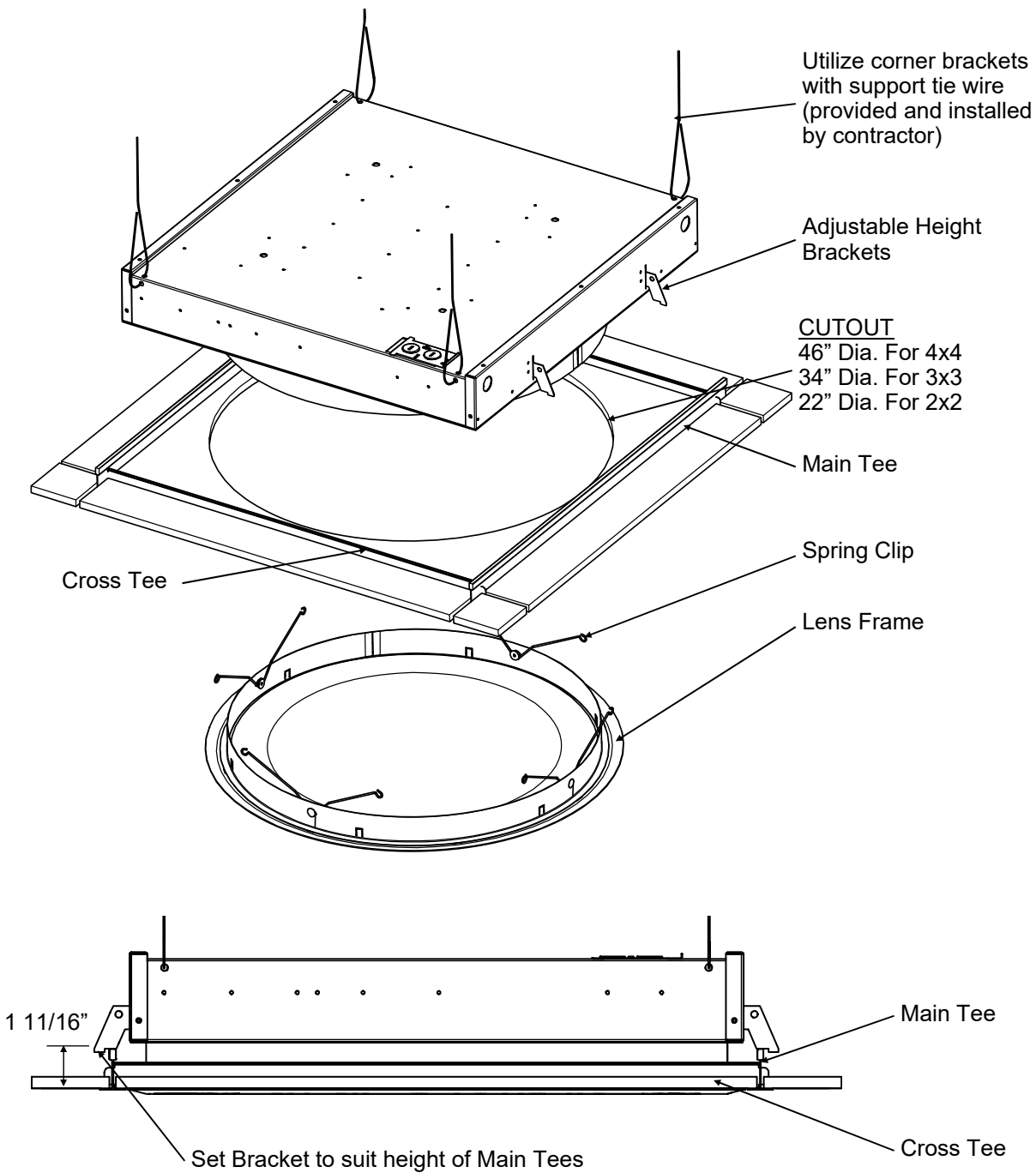
Manufacturer is not responsible for any injuries due to the improper installation or handling of its products.

Luminaire Warning Notes:

- Failure to follow all these warnings may result in injury or death.**
- This fixture is intended only for use in supervised behavioral health spaces.
- This fixture is not for use in spaces where continual /frequent abuse is possible. It is also expressly **not** for use in confinement, correctional facilities, prisons, or similar spaces where residents are present.
- Professionals familiar with intentional ligature, self-harm, or abuse hazards must perform fixture selection and installation. If this fixture is determined to not be adequate for the hazard present within the space, discontinue use of the fixture or space until corrected.
- Failure to correctly fill seams with a site-approved security caulk/compound between the luminaire and the ceiling may increase the hazard, causing injury or death.
- Do not operate the fixture or occupy spaces when this fixture is damaged or not fully assembled.
- Before occupancy, all aspects of this fixture and its installation shall be thoroughly reviewed and tested for ligature concerns.
- Particular care is to be taken in tightening doorframe screws; when complete, doorframe screws must be double-checked. Caution: Do not overtighten screws.) Damage may result. Torque door-frame screws to **10** inch-lbs (1.13 Nm)

NOTES: T-BAR GRID INSTALLATION—LUMINAIRE MUST BE INSTALLED BEFORE T-BAR GRID

1. Remove lens frame via spring clips.
2. Secure luminaire to ceiling structure.
3. Install T-Bar.
4. Install center cut tile.
5. Adjust luminaire so T-Bar brackets sit on top of main tees. (see below).
6. Re-install lens frame after completing electrical connections.



NOTES: DRYWALL INSTALLATION—LUMINAIRE MUST BE INSTALLED BEFORE DRYWALL

1. Remove lens frame via spring clips.
2. Secure luminaire to ceiling structure.
3. Bottom of luminaire to be level with bottom of drywall/gypsum.
4. Install drywall.
5. Re-install lens frame after competing electrical connections.

