

NOTES

- Installation should be completed by an individual familiar with the construction and operation of the luminaire.
- Installation of luminaire must be in accordance with nation and local building and electrical codes.
- Carefully read and follow all warnings and instructions before installing or servicing the luminaire.
- Instructions do not cover all details and all possible product configurations
- Do not restrict luminaire ventilation.
- Ensure LED luminaire is not covered with material that will prevent convection or conduction cooling.
- Do not exceed luminaire's maximum ambient temperature.
- Ensure LED luminaire has the correct polarity before installation.
- Based on maximum voltage restrictions for class 2 circuits in Canadian Electrical Code, the output cannot be accessible. This product has accessible output terminals. This product complies with this requirement since the installation instruction requires installation in Restricted Access Area.

WARNINGS

Electric shock:

- Disconnect or turn off power before installing or servicing luminaire.
- All electrical wiring to be completed by a qualified licensed electrician in accordance with local and National/Canadian Electrical Code.
- Ensure supply voltage corresponds with the correct ballast/driver voltage.
- Avoid exposing wiring to metal edges and sharp objects.
- Ensure that the luminaire is properly grounded to prevent electric hazards.

Fire:

- Keep flammable and combustible materials away from the light source and/or lens.
- Use correctly rated supply conductors as indicated by product labeling.

Burn:

- Allow luminaire to cool before handling luminaire.

Personal Injury:

- Wear safety glasses and gloves when handling the luminaire to avoid physical injury.
- Avoid direct eye contact with light source.
- Always support the weight of the luminaire.

Manufacturer is not responsible for any injuries due to the improper installation or handling of its products.

VRU Series Luminaire Warning and Cautions (not applicable to CRU & MD1U):

- Failure to follow all these warnings may result in injury or death.**
- The VRU series fixtures are only for use in supervised behavioral health spaces. For spaces with a risk of ligature, refer to the VRUo-LRC series Anti-ligature fixture.
- This fixture, and other fixtures in this class are not for use in spaces where continual and/or frequent abuse is possible. It is additionally not for use in confinement, correctional facilities, prisons, or similar spaces where residents are, or can be unsupervised and alone.
- Professionals familiar with intentional ligature, self-harm, or abuse hazards must perform fixture selection and installation. If this fixture is determined to not be adequate for the hazard present within the space, discontinue use of the fixture or space until corrected.
- Failure to correctly fill seams with a site-approved security caulk/compound between the luminaire and the ceiling may increase the hazard, causing injury or death.
- Do not operate the fixture or occupy spaces when this fixture is damaged or not fully assembled.
- Before occupancy, all aspects of this fixture and its installation shall be thoroughly reviewed and tested for ligature concerns.
- Particular care is to be taken in tightening doorframe screws; when complete, doorframe screws must be double-checked. Caution: Do not overtighten screws.) Damage may result. Torque door-frame screws to **10** inch-lbs (1.13 Nm)

- Refer to sheet IIS00262 for Gasket Installation.

Hard Ceiling Flange

Note:
The models requires an accurate cutout of the luminaire opening. It is essential that the opening room side edge be flat to ensure the integrity of the seal.

Use 1-5/8 Unistrut (not included) or equivalent support beams on all four sides above the opening edge. The support structure should be suitably rigid and secured to support the weight of the luminaire. (*Minimum thickness of ceiling and framing is 1 1/2", maximum is 2 3/4"*).

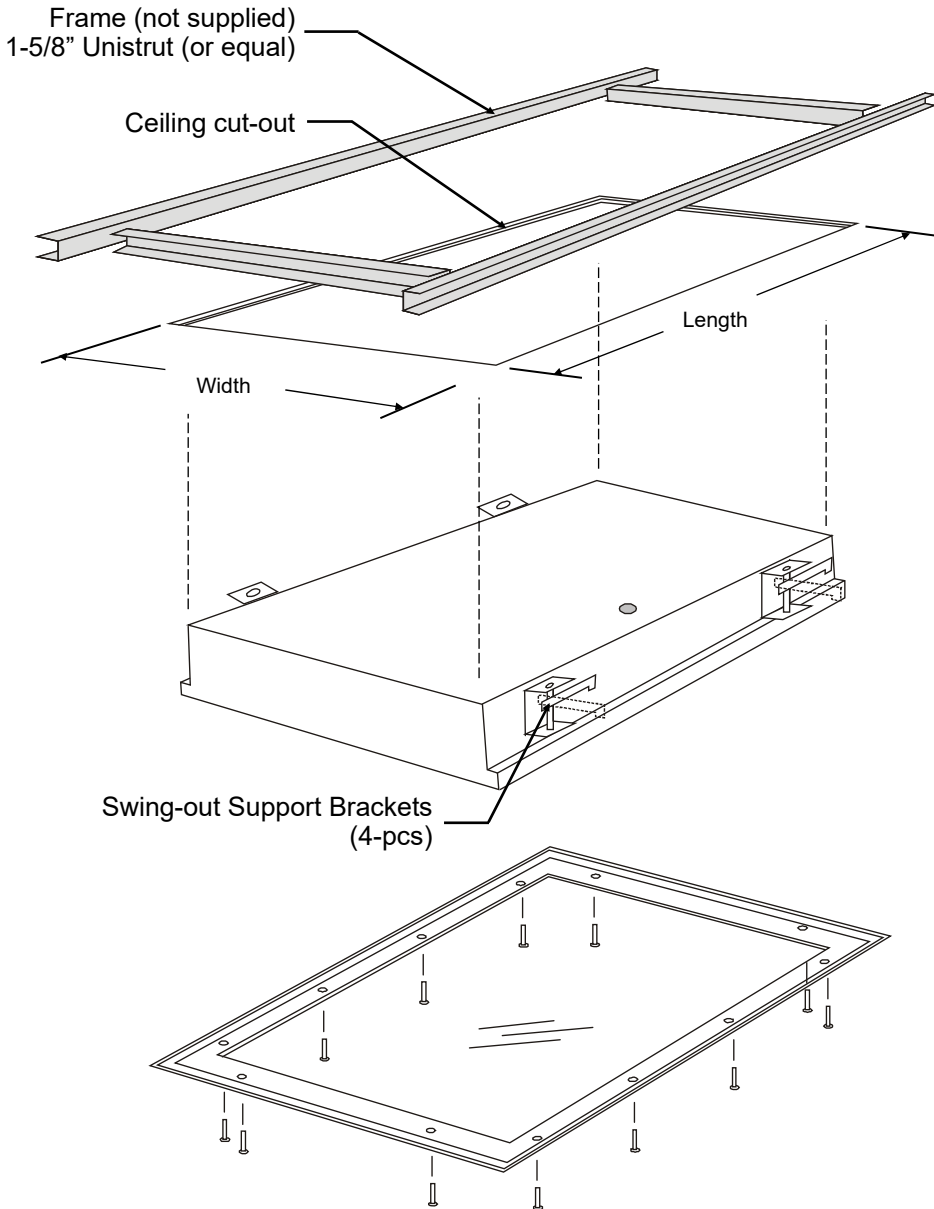
Only qualified electricians should make the electrical connections and should ensure that all Building and Safety code requirements are observed.

CRU & MD1U when supplied with white + red or white + green LEDs, are to be separately switched externally. Also they are NOT to be operated simultaneously.

Mounting:

1. Disconnect electrical power intended to be connected to the luminaire.
2. Locate and cut the required opening in the ceiling.
3. Install and secure the required support structure.
4. Remove the lens and door assembly by removing all twelve self-sealing screws from the luminaire.
5. Insert the luminaire into the ceiling then extend the swing-out brackets above the support structure. Tighten all swing-out brackets to ensure a tight and continuous seal on the room side of the opening.
6. Remove the cover and make the electrical connections to the power supply. Do not remove or use a different power cord fitting than the one supplied.
7. Replace the cover and install suitable lamps (not supplied).
8. Replace the lens and door assembly with the original self-sealing screws. Tighten to a maximum torque of 10 in-lbs. Ensure that the door gasket makes a continuous seal to the ceiling surface.
9. Apply power.

Hard Ceiling Flange Cont'd



Ceiling Cut-Out Dimensions:

Size	Width	Length
1x2	10-7/8 in.	22-7/8 in.
1x3	10-7/8 in.	34-7/8 in.
1x4	10-7/8 in.	46-7/8 in.
2x2	22-7/8 in.	22-7/8 in.
2x4	22-7/8 in.	46-7/8 in.

Recessed Grid (T-Bar)

1. Fixture is designed for use with 1" / 1 1/2" T-bar grid systems with vertical grid T thickness of less than 1/4" with a maximum height of 1 1/2". Grid systems can be installed standard 12, 24 or 48" centerline spacing of grid.
2. Fixture housing lays into grid. Ensure four (4) swing arms are in the stowed position as shown. If securing fixture to the superstructure with hanger wire (by others) loop wire through holes on swing arm attach bracket. Position door frame into housing opening and start all screws by hand. Tighten all screws to seal door frame to fixture, **but do not over-tighten to cause deformation of door frame.**

