

**NOTES**

- Installation should be completed by an individual familiar with the construction and operation of the luminaire.
- Installation of luminaire must be in accordance with nation and local building and electrical codes.
- Carefully read and follow all warnings and instructions before installing or servicing the luminaire.
- Instructions do not cover all details and all possible product configurations
- Do not restrict luminaire ventilation.
- Ensure LED luminaire is not covered with material that will prevent convection or conduction cooling.
- Do not exceed luminaire's maximum ambient temperature.
- Ensure LED luminaire has the correct polarity before installation.
- These products have maximum rated output voltage that exceeds the voltage limits that cannot be accessible based on voltage restrictions for Class 2 circuits in Canadian Electrical Code. This output complies with the definition of Class 2 per Canadian Electrical Code. This product complies with this requirement since the installation instruction requires installation in restricted area.

**WARNINGS**

**Electric shock:**

- Disconnect or turn off power before installing or servicing luminaire.
- All electrical wiring to be completed by a qualified licensed electrician in accordance with local and National/Canadian Electrical Code.
- Ensure supply voltage corresponds with the correct ballast/driver voltage.
- Avoid exposing wiring to metal edges and sharp objects.
- Ensure that the luminaire is properly grounded to prevent electric hazards.

**Fire:**

- Keep flammable and combustible materials away from the light source and/or lens.
- Use correctly rated supply conductors as indicated by product labeling.

**Burn:**

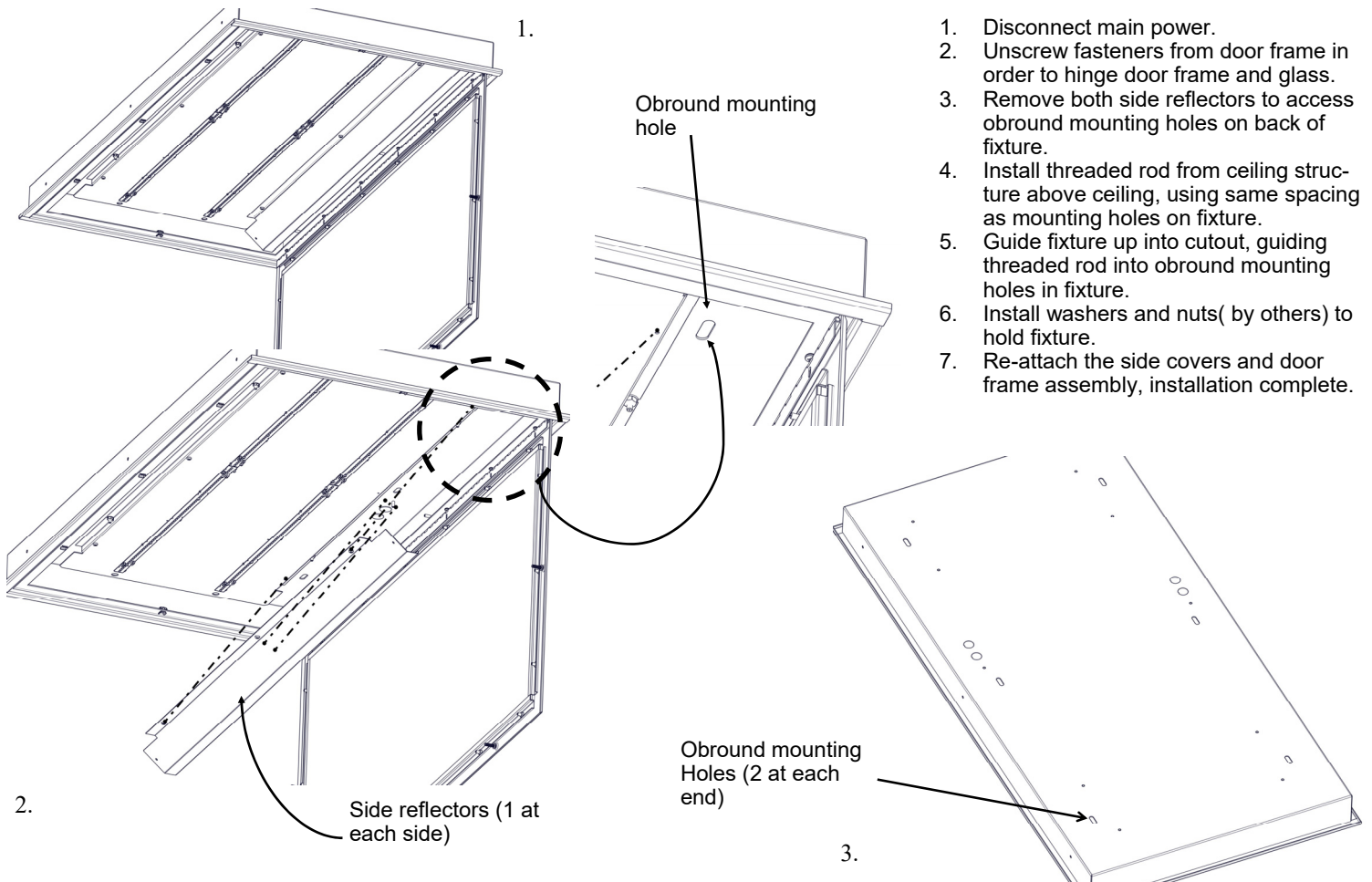
- Allow luminaire to cool before handling luminaire.

**Personal Injury:**

- Wear safety glasses and gloves when handling the luminaire to avoid physical injury.
- Avoid direct eye contact with light source.
- Always support the weight of the luminaire.

CEILING CUT-OUT OPENING	
1x4	12.5"x48.5"
2x2	24.5"x24.5"
2x4	24.5"x48.5"

Viscor is not responsible for any injuries due to the improper installation or handling of its products.



1. Disconnect main power.
2. Unscrew fasteners from door frame in order to hinge door frame and glass.
3. Remove both side reflectors to access obround mounting holes on back of fixture.
4. Install threaded rod from ceiling structure above ceiling, using same spacing as mounting holes on fixture.
5. Guide fixture up into cutout, guiding threaded rod into obround mounting holes in fixture.
6. Install washers and nuts( by others) to hold fixture.
7. Re-attach the side covers and door frame assembly, installation complete.