

Universal Gasket Location Installation Instruction - ERP # IIS00201 03/05/2019 Rev.1.0

NOTES

- Installation should be completed by an individual familiar with the construction and operation of the luminaire.
- Installation of luminaire must be in accordance with nation and local building and electrical codes.
- Carefully read and follow all warnings and instructions before installing or servicing the luminaire.
- Instructions do not cover all details and all possible product configurations
- Do not restrict luminaire ventilation.
- Ensure LED luminaire is not covered with material that will prevent convection or conduction cooling.
- Do not exceed luminaire's maximum ambient temperature.
- Ensure LED luminaire has the correct polarity before installation.
- Based on maximum voltage restrictions for class 2 circuits in Canadian Electrical Code, the output cannot be accessible. This product has accessible output terminals. This product complies with this requirement since the installation instruction requires installation in Restricted Access Area.

WARNINGS

Electric shock:

- Disconnect or turn off power before installing or servicing luminaire.
- All electrical wiring to be completed by a qualified licensed electrician in accordance with local and National/Canadian Electrical Code.
- Ensure supply voltage corresponds with the correct ballast/driver voltage.
- Avoid exposing wiring to metal edges and sharp objects.
- Ensure that the luminaire is properly grounded to prevent electric hazards.

Fire:

- Keep flammable and combustible materials away from the light source and/or lens.
- Use correctly rated supply conductors as indicated by product labeling.

Burn:

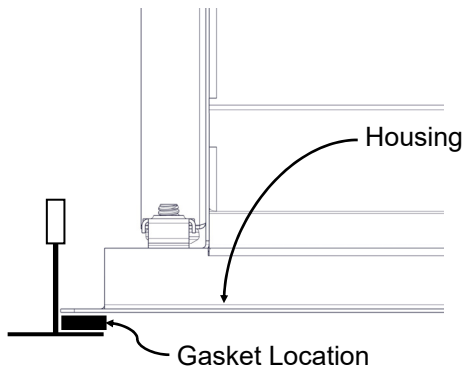
- Allow luminaire to cool before handling luminaire.

Personal Injury:

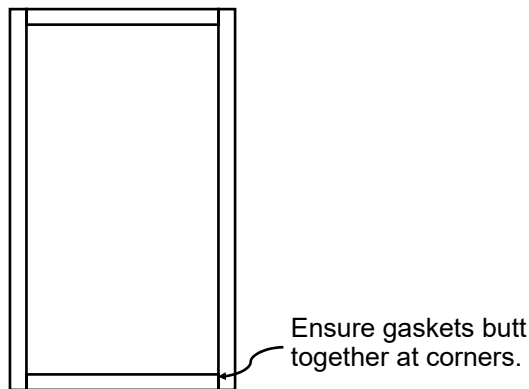
- Wear safety glasses and gloves when handling the luminaire to avoid physical injury.
- Avoid direct eye contact with light source.
- Always support the weight of the luminaire.

Manufacturer is not responsible for any injuries due to the improper installation or handling of its products.

T-BAR Installation



Top View of Gasket Installation

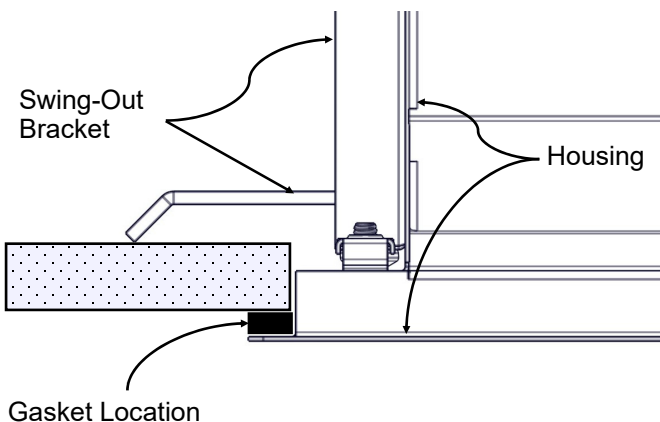


Caution:

When peeling the film from gasket, do not stretch gasket while applying to avoid retraction.

Gasket included to be applied by installer.

DRYWALL Installation

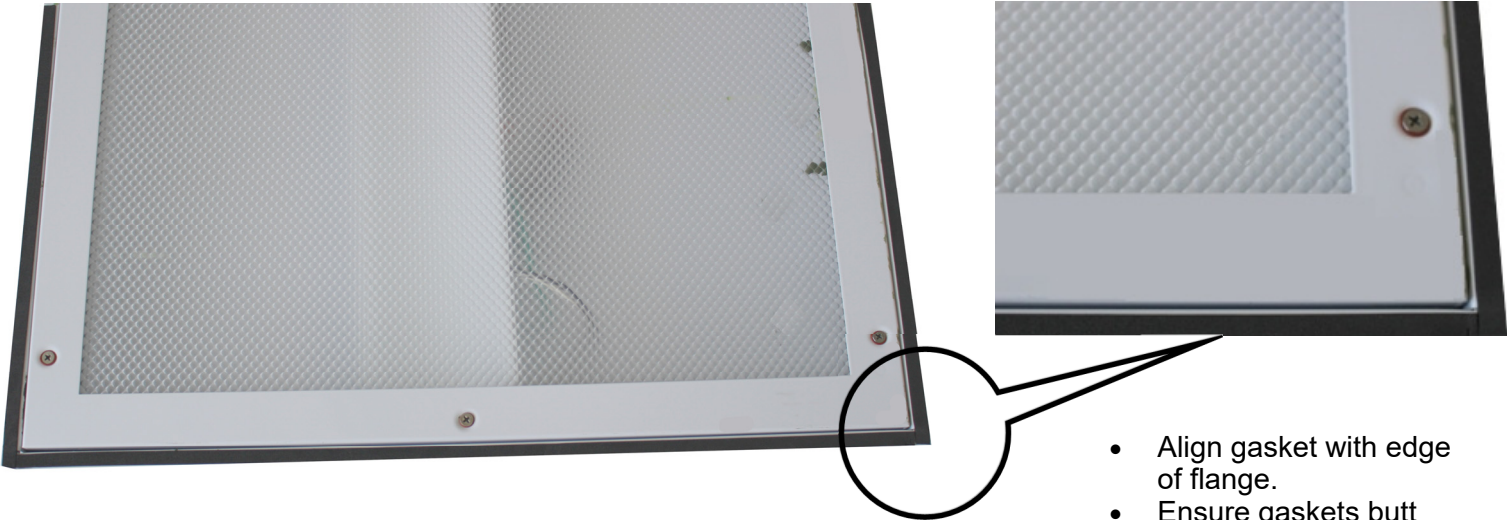


CEILING CUT-OUT OPENING	
1x4	11.25" x 47.25"
2x2	23.25" x 23.25"
2x4	23.25" x 47.25"

KIT No.	MODEL SIZE	QTY.	GASKET LENGTH
KIT00133	1x4	1 Roll	10 FT
KIT00134	2x4	1 Roll	12 FT
KIT00135	2x2	1 Roll	8 FT

**Universal Gasket Location Installation
Instruction - ERP # IIS00201
03/05/2019 Rev.1.0**

For T-Bar Gasket Location



For Drywall Gasket Location

