

SUBJECT:

VRS4022 WET LOCATION

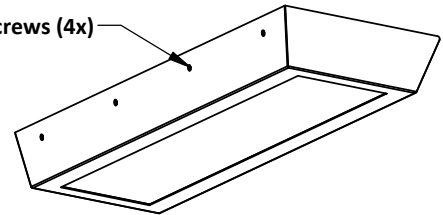
INSTALLATION INSTRUCTION SHEET (LED and Fluorescent Version)

WARNING: ELECTRICAL SHOCK POTENTIAL !! DO NOT ATTEMPT TO INSTALL, MAINTAIN OR RELAMP WITHOUT DISCONNECTING ALL POWER. FAILURE TO DISCONNECT POWER CAN RESULT IN ELECTROCUTION, SHOCK OR SEVERE BURNS. ONLY QUALIFIED PERSONNEL TO CONDUCT INSTALLATION.

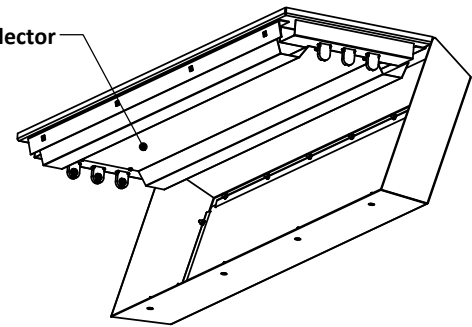
CAUTION: INSTALL IN COMPLIANCE TO ALL APPLICABLE ELECTRICAL AND BUILDING CODES. INSTALLATION MUST BE PERFORMED BY QUALIFIED PERSONNEL.
***** SHOCK HAZARD. DISCONNECT ALL POWER BEFORE PERFORMING INSTALLATION *****

1. Disconnect mains power.
2. Open the fixture door frame by removing the four (4) 10-24 screw using a T-25 Torx bit with security pin clearance. The door frame is hinged and will swing open.
3. Remove the 4 screws to remove the cover/reflector.
4. Secure the fixture to ceiling surface at its intended location with appropriate hardware (supplied by others). Six (6) fixture mounting points are provided.
5. Ceiling and mounting hardware must be capable of supporting the full weight of the fixture and meet local building codes. Use hardware as specified by the architect to withstand required force in vandal resistant applications. The estimated fixture weight is 30kg (66 lbs).
6. Make wiring connections. Ensure the fixture is properly grounded to the fixture ground stud. A 7/8" Access hole is provide on fixture.
7. Re-attached the Reflector/Cover. Add appropriate lamps.
8. Re-secure the door frame with the 10-24 flathead Torx screws (4x).
9. Seal the perimeter of the fixture with an appropriate sealant (Supplied by others)

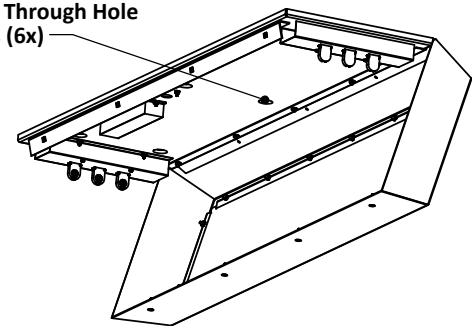
Door Frame screws (4x)



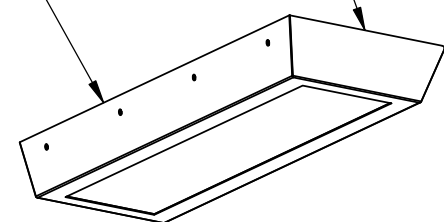
Cover/Reflector



Mounting Through Hole in Emboss (6x)



Seal perimeter of fixture to ceiling with sealant compound (4 sides)



Drg No: IIS00042