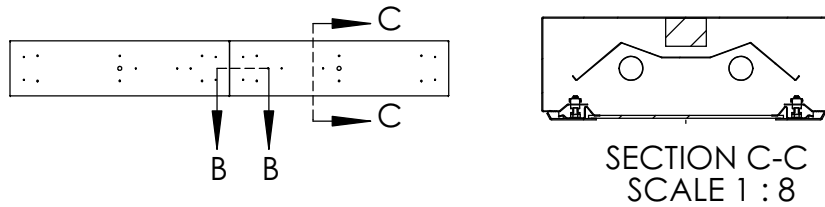
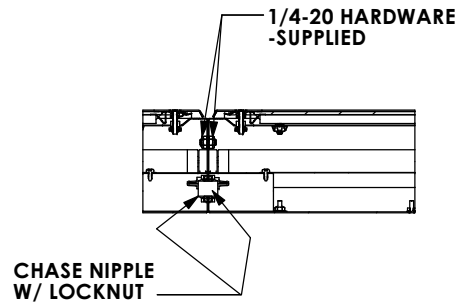
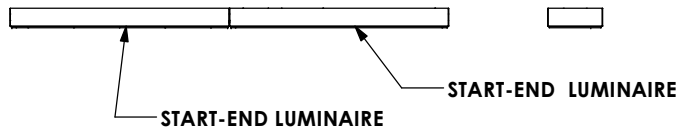


# INSTALLATION INSTRUCTION SHEET

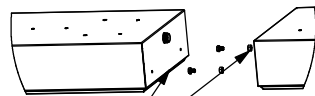
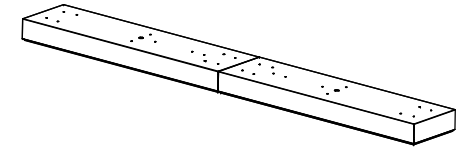
CRS3555 Surface / Tandem 8FT



SECTION C-C  
SCALE 1 : 8

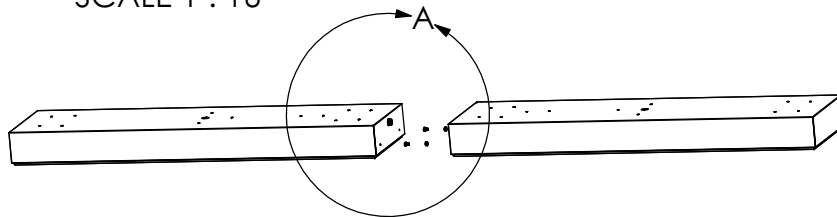


SECTION B-B  
SCALE 1 : 8



JOINING HARDWARE (INTERNAL)  
1/4-20 HARDWARE.

DETAIL A  
SCALE 1 : 16



1. Disconnect mains power.
2. Open the fixture door frame by removing the 10-24 flathead screws. Disconnect the door frame aircraft cable from slot and safely put door aside.
3. Remove the screws to remove the reflector / cover.
4. Secure the "START-END" fixture to ceiling at its intended location using hardware suitable to support fixture weight per any applicable local building codes. Use any required additional mounting hardware (supplied by others) as required.
5. Mount the second fixture to ceiling. Line up ends of fixtures and fasten together using 1/4-20 hardware and chase nipple (Provided with the fixtures) to ensure a tight fit end-to-end.
6. Feed power to fixture through 7/8" access on top of fixture at electrician's discretion. Make wiring connections. Ensure the fixture is properly grounded to the fixture ground stud.
7. Re-attached the Reflector/Cover. Add appropriate lamps.
8. Re-attached the door frame with its aircraft cable into slot on housing. Re-secure the door frame with the 10-24 flathead screws.

**CAUTION:** INSTALL IN COMPLIANCE TO ALL APPLICABLE ELECTRICAL AND BUILDING CODES. INSTALLATION MUST BE PERFORMED BY QUALIFIED PERSONNEL.  
\*\*\*\*\* SHOCK HAZARD. DISCONNECT ALL POWER BEFORE PERFORMING INSTALLATION \*\*\*\*\*

**WARNING: ELECTRICAL SHOCK POTENTIAL !!** DO NOT ATTEMPT TO INSTALL, MAINTAIN OR RELAMP WITHOUT DISCONNECTING ALL POWER, FAILURE TO DISCONNECT POWER CAN RESULT IN ELECTROCUTION, SHOCK OR SEVERE BURNS. ONLY QUALIFIED PERSONNEL TO CONDUCT INSTALLATION.

**PROPRIETARY AND CONFIDENTIAL**  
THE INFORMATION CONTAINED IN THIS DRAWING IS THE SOLE PROPERTY OF CERTOLUX - DIVISION OF VISIONEERING CORP. ANY REPRODUCTION IN PART OR AS A WHOLE WITHOUT THE WRITTEN PERMISSION OF CERTOLUX IS PROHIBITED.

	NAME	DATE
Last Saved	rdoucet	2/26/2014
CHECKED		



ERP #:	<b>IIS00060</b>	REVISION:
Title		
Part Name:	<b>3555FG14P13-2T8-TANDEM</b>	
Description:	<b>CLEANROOM SERIES MODEL CRS3555, SURFACE / TANDEM ROW MOUNTING STYLE</b>	
MATERIAL:	FINISH:	
SIZE: A	SCALE:	SHEET 1 OF 1

UNLESS OTHERWISE SPECIFIED:  
DIMENSIONS ARE IN INCHES  
ANGULAR: BEND ±1  
ONE PLACE DECIMAL ±0.030  
TWO PLACE DECIMAL ±0.015  
THREE PLACE DECIMAL ±0.005