

WARNINGS

Electric shock:

- Disconnect or turn off power before installing or servicing luminaire.
- All electrical wiring to be completed by a qualified licensed electrician in accordance with local and National/Canadian Electrical Code.
- Ensure supply voltage corresponds with the correct ballast/driver voltage.
- Avoid exposing wiring to metal edges and sharp objects.
- Ensure that the luminaire is properly grounded to prevent electric hazards.

Fire:

- Keep flammable and combustible materials away from the light source and/or lens.
- Use correctly rated supply conductors as indicated by product labeling.

Burn:

- Allow luminaire to cool before handling luminaire.

Personal Injury:

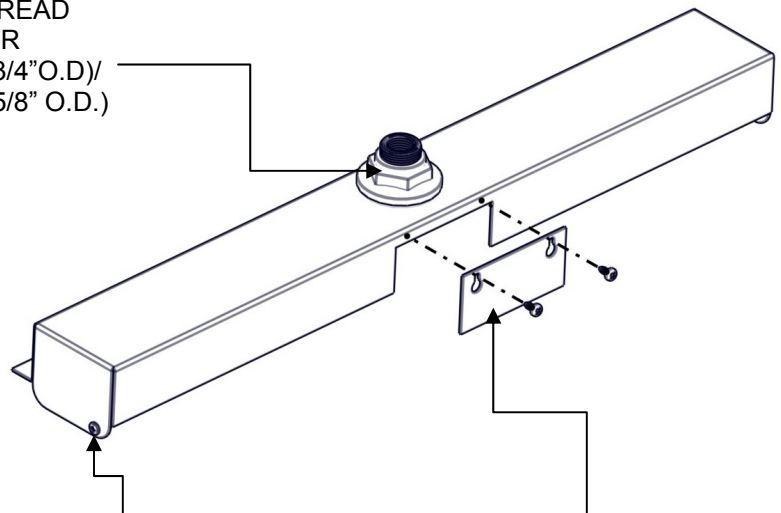
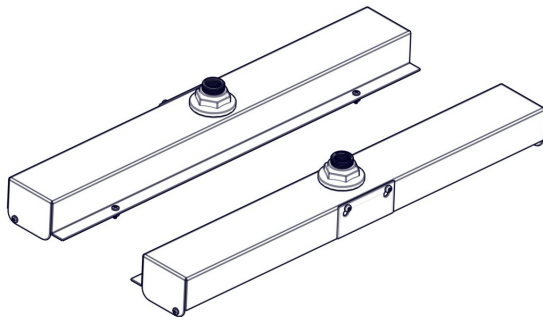
- Wear safety glasses and gloves when handling the luminaire to avoid physical injury.
- Avoid direct eye contact with light source.
- Always support the weight of the luminaire.

KIT00088

RIGID BEAM STEM MOUNTING
 BOXES (2) FOR LSTA

Compatible with series model;
 LSTA 2X2/2x4

HUB THREAD
 SIZE FOR
 1/2" IP (3/4" O.D.)/
 3/8" IP (5/8" O.D.)



4- #8-32X.500 LENGTH
 SELF-THREADED
 SCREWS

SLIDE-OUT COVER FOR
 WIRING ACCESS C/W
 2- #8-18X.375 LENGTH
 SCREWS

