



VISCOR INC

Viscor Inc
35 Oak Street
Toronto, ON Canada M9N 1A1
www.viscor.com
Tel: 416.245.7991
Fax: 416.245.4778

Title: **KIT00032**

ERP# IIS00103

Date: MAY 2015

WARNINGS

Electric shock:

- Disconnect or turn off power before installing or servicing luminaire.
- All electrical wiring to be completed by a qualified licensed electrician in accordance with local and National/Canadian Electrical Code.
- Ensure supply voltage corresponds with the correct ballast/driver voltage.
- Avoid exposing wiring to metal edges and sharp objects.
- Ensure that the luminaire is properly grounded to prevent electric hazards.

Fire:

- Keep flammable and combustible materials away from the light source and/or lens.
- Use correctly rated supply conductors as indicated by product labeling.

Burn:

- Allow luminaire to cool before handling luminaire.

Personal Injury:

- Wear safety glasses and gloves when handling the luminaire to avoid physical injury.
- Avoid direct eye contact with light source.
- Always support the weight of the luminaire.

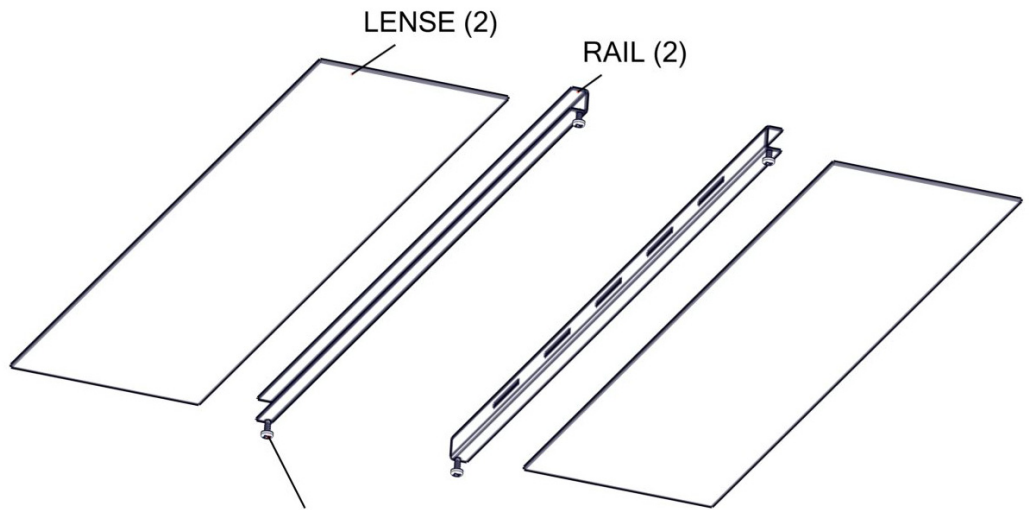
KIT00032

LENS AND RAIL MOUNTING KIT

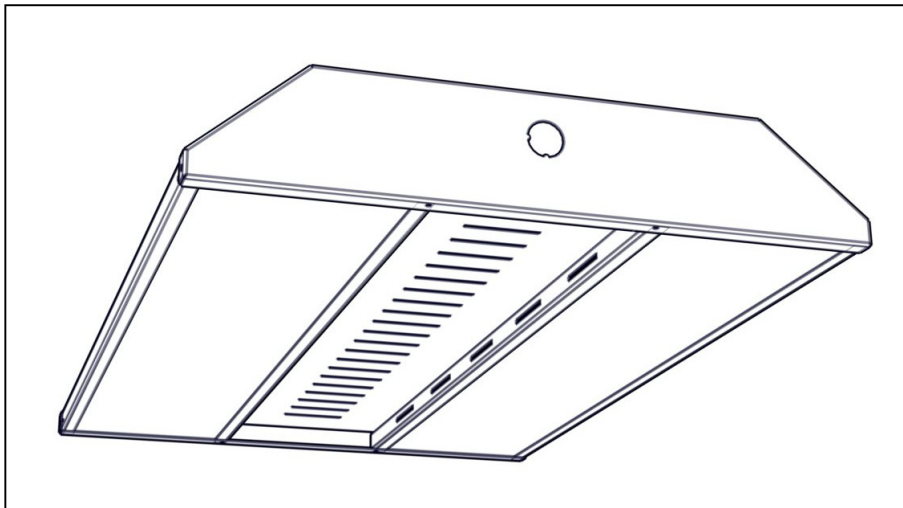
Compatible with Series;
LHBC

P05	Clear Acrylic
P07	Clear Polycarbonate
P73	White Translucent Polycarbonate
P82	White Translucent Acrylic

MODEL CONFIGURATION	KIT PART NUMBER
LHBC24-P05	KIT00032
LHBC48-P05	KIT00033
LHBC24-P07	KIT00034
LHBC48-P07	KIT00035
LHBC24-P73	KIT00036
LHBC48-P73	KIT00037
LHBC24-P82	KIT00068
LHBC48-P82	KIT00067



SCREWS 8-32 x .375
ZINC PAN-HD. QUADREX (4)



The Viscor Group



VISIONEERING™



CERTOLUX™



ARCHITECTURAL™
LIGHTING

CANFLEX™

