



VISCOR INC

Viscor Inc  
35 Oak Street  
Toronto, ON Canada M9N 1A1  
www.viscor.com  
Tel: 416.245.7991  
Fax: 416.245.4778

Title: **KIT00004**

ERP# IIS00090

Date: MAY 2015

**WARNINGS**

**Electric shock:**

- Disconnect or turn off power before installing or servicing luminaire.
- All electrical wiring to be completed by a qualified licensed electrician in accordance with local and National/Canadian Electrical Code.
- Ensure supply voltage corresponds with the correct ballast/driver voltage.
- Avoid exposing wiring to metal edges and sharp objects.
- Ensure that the luminaire is properly grounded to prevent electric hazards.

**Fire:**

- Keep flammable and combustible materials away from the light source and/or lens.
- Use correctly rated supply conductors as indicated by product labeling.

**Burn:**

- Allow luminaire to cool before handling luminaire.

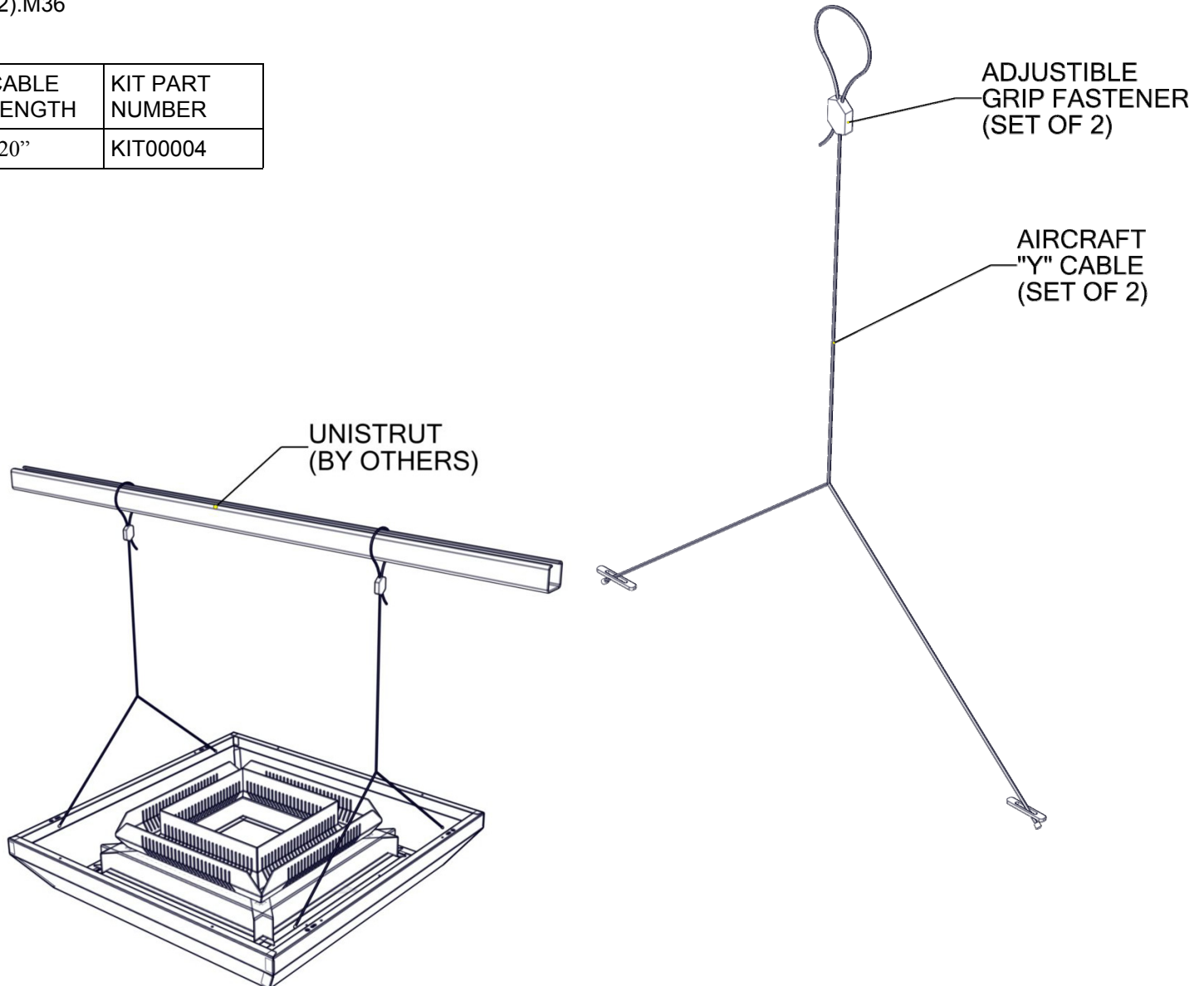
**Personal Injury:**

- Wear safety glasses and gloves when handling the luminaire to avoid physical injury.
- Avoid direct eye contact with light source.
- Always support the weight of the luminaire.

**KIT00004**

AIRCRAFT "Y" CABLE  
W/ ADJUSTIBLE GRIP  
(2).M36

CABLE LENGTH	KIT PART NUMBER
120"	KIT00004



The Viscor Group



VISIONEERING™



CERTOLUX™



ARCHITECTURAL™  
LIGHTING

CANFLEX™

