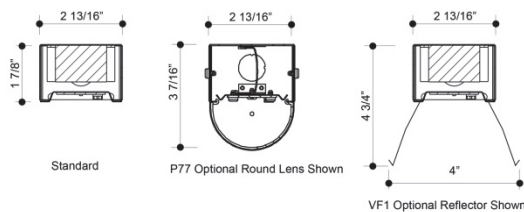




## PRODUCT UPDATE:

# THE LCOM FAMILY



### Premium-Grade LED Strip Luminaire

The Visioneering LCOM family has grown to include a new optical round lens option (P77). This new option increases the LCOM's architectural appeal while maintaining its rugged construction. The LCOM is an energy efficient solution for indoor applications (coves, cold storage, parking garages, retail shelving, industrial racks, utility areas and more).

#### Features:

- Shallow design
- Surface or suspension mounting
- Available in lengths 24" to 96"
- Continuous raceway and row-mounting capability
- Flip-up end plates
- 80+ CRI

#### Specifications:

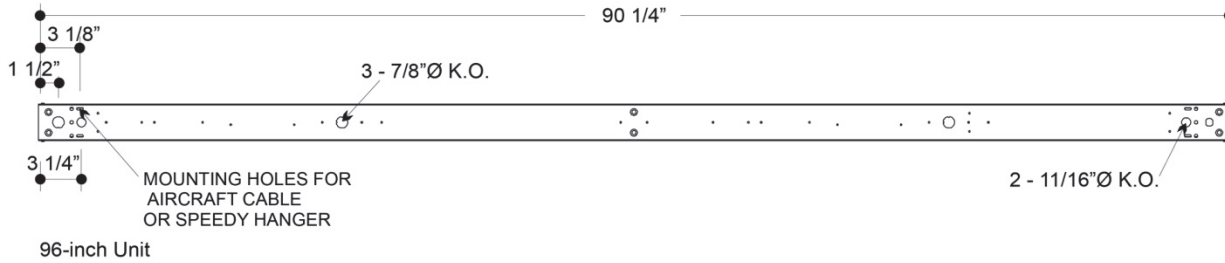
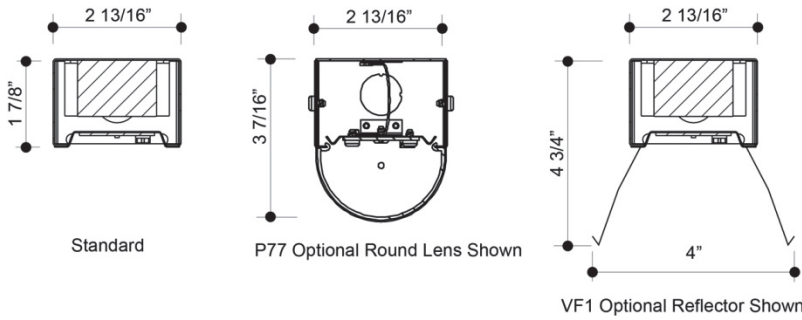
- Optional frosted linear acrylic lens
- Optional ribbed extruded acrylic lens
- End plates can be repositioned to form continuous wire-way
- White polyester powder painted finish
- Rated to deliver L80 performance > 50,000 hours

Specifications and dimensions subject to change without notice. Consult your representative or [www.viscor.com](http://www.viscor.com) for additional information.

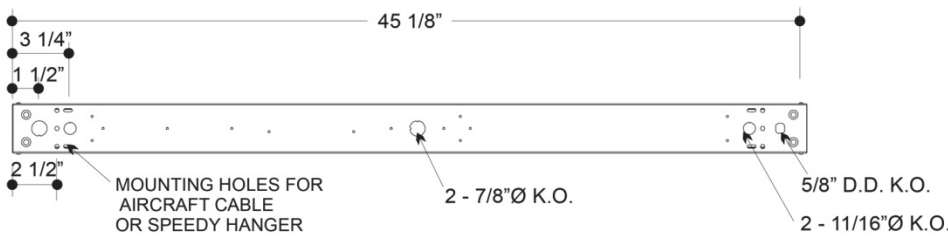
Item #	Catalog #	Lumens*	Watts*	CCT*	Voltage	Pallet Qty	DLC	Delivery
<b>24"</b>								
38568	LCOM24-LED835K022LUNV	2200	21	3500	120-277			
32195	LCOM24-LED840K022LUNV	2200	21	4000	120-277			
38764	LCOM24-LED835K022LUNV-P77	2200	21	3500	120-277			
39024	LCOM24-LED840K022LUNV-P77	2200	21	4000	120-277			
<b>48"</b>								
34184	LCOM48-LED835K044LUNV	4400	37	3500	120-277			
32197	LCOM48-LED840K044LUNV	4400	37	4000	120-277			
38597	LCOM48-LED835K044LUNV-P77	4400	37	3500	120-277		✓	
37773	LCOM48-LED840K044LUNV-P77	4400	37	4000	120-277		✓	
<b>96"</b>								
39521	LCOM96-LED835K088LUNV	8800	74	3500	120-277			
32210	LCOM96-LED840K088LUNV	8800	74	4000	120-277			
39803	LCOM96-LED835K088LUNV-P77	8800	74	3500	120-277			
37070	LCOM96-LED840K088LUNV-P77	8800	74	4000	120-277			

\*Values are nominal

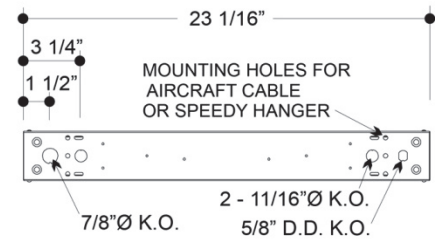
### Dimensions



96-inch Unit



48-inch Unit



24-inch Unit

201602A

Specifications and dimensions subject to change without notice. Consult your representative or [www.viscor.com](http://www.viscor.com) for additional information.