

Project	
Type	
Date	
Product Code	
Approved by	

VRWB (Bullnose) - Confinement

Wall Mount Luminaire
(Psychiatric Wards, Cells, Washrooms)
LED



3551

Product Specifications - Application

The VRWB series by Certolux is a specification-grade wall mounted luminaire for maximum security and vandal resistant applications. The flush-mount clamshell design has concealed hinges, tamper resistant fasteners, contraband trapping backplate, and security lenses. This maximizes impact resistance, prevents contraband concealment and unauthorized fixture tampering/penetration.

Product Specifications

Housing/Door Frame

Single piece precision die formed with specified material (see product ordering key). Corners are TIG welded to provide a sealed joint. Tamper resistant TORX® Head with center pin fasteners secure door frame to housing.

Backplate

Die formed cold rolled steel in 14, 16, or 18 gauge with embossed mounting holes and contraband trap (Other materials available see ordering key).

Hinge

Concealed piano style hinge with .500" knuckle and .125" pin (Pin is secured to knuckle) welded to door frame and fastened to backplate.

Lens and Lens Retention

Multiple lens choices for both fixture side and room facing side (see product ordering key for options). Lens maximum thickness .625". The lens is secured to housing faceplate with adjustable brackets along lens profile.

Finish

The luminaire is in a polyester powder painted white finish and offers a high reflectivity coating for improved lighting performance and efficiency.

Electrical

Long life LED's coupled with high efficiency drivers provide quality illumination. Rated to deliver an L80 performance >50,000 hours. The standard driver has a THD of <20%. Standard low-voltage dimming (0-10v, 1%). All electrical components are CSA or UL approved. A 1/2" EMT hole is provided for wiring connections.

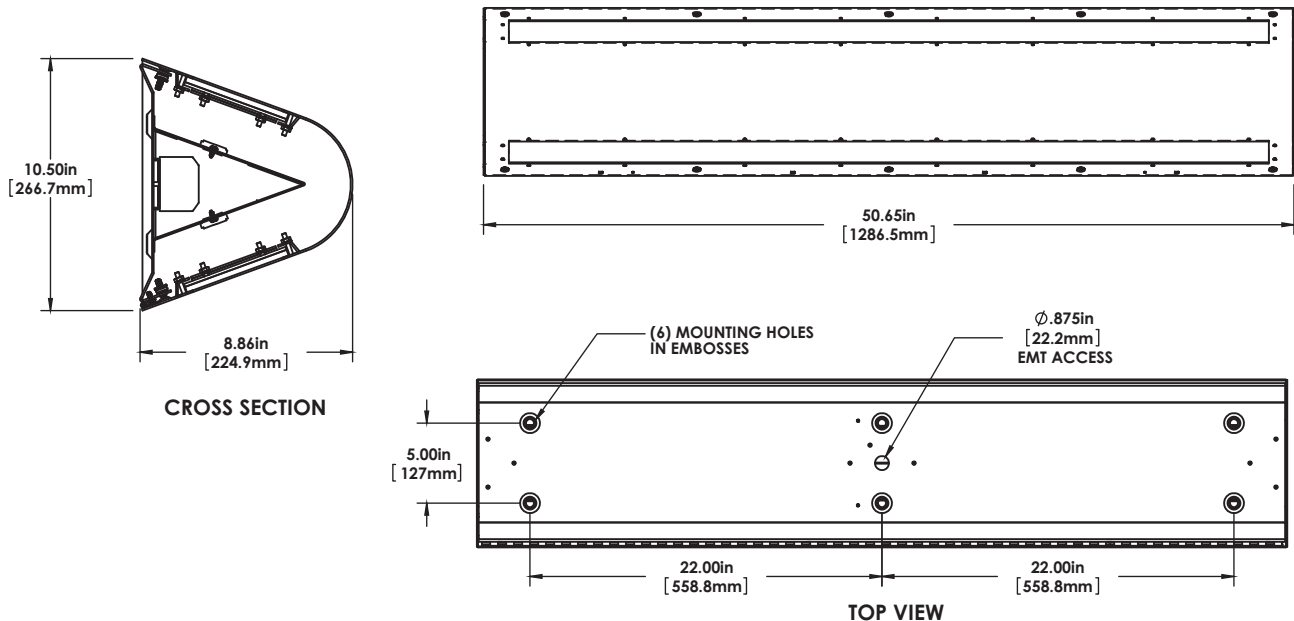
Approvals

Approved to CSA and UL standards.



Vandal Resistant

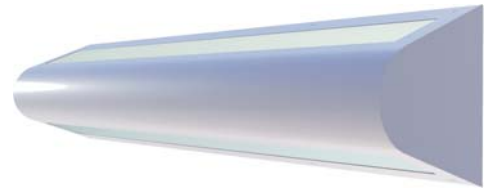
Dimensions



Project	
Type	
Date	
Product Code	
Approved by	

VRWB (Bullnose) - Confinement

Wall Mount Luminaire
(Psychiatric Wards, Cells, Washrooms)
LED



3551

Product Specifications - Application

The VRWB series by Certolux is a specification-grade wall mounted luminaire for maximum security and vandal resistant applications. The flush-mount clamshell design has concealed hinges, tamper resistant fasteners, contraband trapping backplate, and security lenses. This maximizes impact resistance, prevents contraband concealment and unauthorized fixture tampering/penetration.

Ordering

VRWB-3551		/	1/1L	-	LED	8				-	/	
Series	Model	Size (W x L)	LED Up/Dn	Light Source	CRI	Colour Temp. Deg. K	Voltage	Internal Lens	External Lens	Options		
		1x2 1x4		8 - (80-89)		35K - 3500K 40K - 4000K 50K - 5000K	UNV - 120-277V 347 - 347			Driver/Controller Options <input type="checkbox"/> B02 Dimming Addressable Digital (DALI) <input type="checkbox"/> B39 Emergency LED Battery Pack Packaging Options <input type="checkbox"/> K0 Pack Bulk/Pallet Packed and/or wrapped Fusing and Breaker Options <input type="checkbox"/> T6 Fuseholder, In-line Single Pole Wiring Options <input type="checkbox"/> V25 Radio Frequency Filter <input type="checkbox"/> V33 2-Switch Leads <input type="checkbox"/> V39 Night Light - White LED		
Vandal Resistant			Door/Housing Gauge	Lumens			Internal/External Lens					
			A - 18 Ga. CRS (Painted) B - 16 Ga. CRS (Painted) C - 14 Ga. CRS (Painted) F - 16 Ga. SS #304 (Painted) G - 14 Ga. SS #304 (Painted) J - 16 Ga. SS #304 (#4 Brushed)** K - 14 Ga. SS #304 (#4 Brushed)**	039L - 3900lm 052L - 5200lm 078L - 7800lm 104L - 10400lm			P00 - None P13 - .125 Prismatic Acrylic P45 - .125 Clear Polycarbonate P42 - .156 Prismatic Polycarbonate P43 - .187 Prismatic Polycarbonate P46 - .187 Clear Polycarbonate P49 - .187 Clear Tempered Glass P08 - .250 Clear Polycarbonate P50 - .250 Clear Tempered Glass P47 - .375 Clear Polycarbonate P51 - .375 Clear Tempered Glass P48 - .500 Clear Polycarbonate P52 - .500 Clear Tempered Glass P82 - .040 White Translucent Acrylic					

** Not Available as Housing Material

Model Numbers relate to specific designs, refer to product photo and Dimension sections for additional details.

Note: Maximum lens thickness combined is .625".
P82 must be used in conjunction with a minimum .250" lens

Lumen/System Watts

Size	Lumens	System Watts	Lumens Up	Lumens Down
1x2	3900	36	1950	1950
	5200	47	2600	2600
1x4	5200	47	2600	2600
	7800	75	3900	3900
	10400	98	5200	5200

Other options may be available consult factory.
Specifications and data subject to change without notice

