

Project	
Type	
Date	
Product Code	
Approved by	

## VRS 1x2, 1x4 - Confinement

Ceiling Mount Luminaire  
(Cells, Corridors, Dayrooms)  
LED



4022

### Product Specifications - Application

The VRS series by Certolux is a specification-grade luminaire for maximum security and vandal resistant applications. The clamshell design has concealed hinges, tamper resistant fasteners, contraband trapping backplate, and security lenses. This maximizes impact resistance, prevents contraband concealment and unauthorized fixture tampering/penetration.. The luminaire can be ceiling mounted.

### Product Specifications

#### Housing

Precision die formed 12, 14, or 16 gauge cold rolled steel housing with 12 gauge continuously welded end plates.

#### Backplate

Die formed 12, 14 or 16 ga. CRS with embossed mounting holes and contraband trap.

#### Door Frame

Single piece precision die formed with specified material (see product ordering key). Corners are seam welded. Tamper resistant TORX® Head with center pin fasteners secure door frame to housing.

#### Hinge

Full Length concealed piano style hinge with .500" knuckle and .125" pin (Pin is secured to knuckle) welded to door frame and fastened to backplate.

#### Lens and Lens Retention

Multiple lens choices for both fixture side and room facing side (see product ordering key for options). Lens maximum thickness .625". The lens is secured with adjustable V style brackets with through studs on housing faceplate.

#### Finish

The luminaire is in a powder painted white finish and offers a high reflectivity coating for improved lighting performance and efficiency.

#### Electrical

All electrical components are CSA or UL approved. Lamp holders provided ensure positive lamp retention. Drivers have a THD of less than 20%. Standard low-voltage dimming (0-10v, 1%).

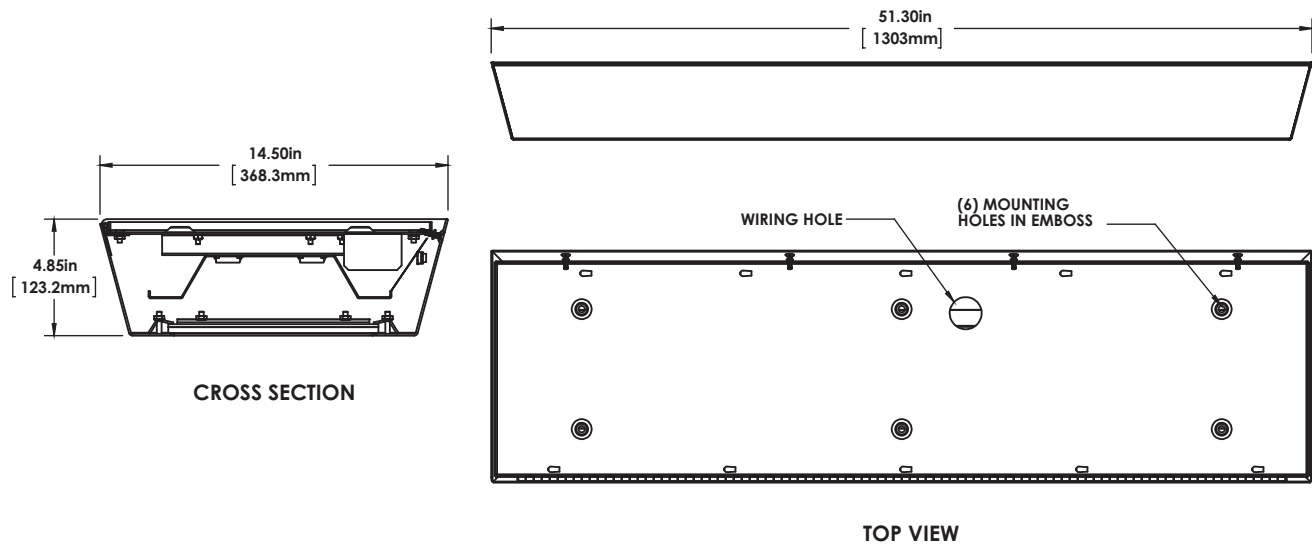
#### Approvals

Approved to CSA and UL standards.



Vandal  
Resistant

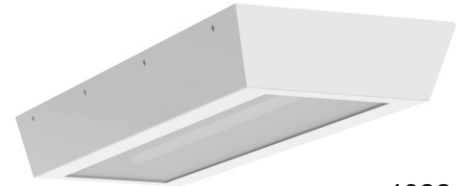
### Dimensions



Project	
Type	
Date	
Product Code	
Approved by	

# VRS 1x2, 1x4 - Confinement

Ceiling Mount Luminaire  
(Cells, Corridors, Dayrooms)  
LED



4022

## Product Specifications - Application

The VRS series by Certolux is a specification-grade luminaire for maximum security and vandal resistant applications. The clamshell design has concealed hinges, tamper resistant fasteners, contraband trapping backplate, and security lenses. This maximizes impact resistance, prevents contraband concealment and unauthorized fixture tampering/penetration.. The luminaire can be ceiling mounted.

## Ordering

VRS-4022		/		-	LED														
<b>Series</b>	<b>Model</b>	<b>Size (W x L)</b>			<b>Light Source</b>	<b>CRI</b>			<b>Voltage</b>	<b>Internal Lens</b>	<b>External Lens</b>	<b>Options</b>							
		1x2 1x4				8 - (80-89)			UNV - 120-277V 347 - 347V			<b>Ballast Options</b> <input type="checkbox"/> B01 Ballast Disconnect - In-line Power Disconnect (CSA-UL Req'd For Voltages above 150v) <input type="checkbox"/> B02 Dimming Addressable Digital (DALI) <input type="checkbox"/> B03 Dimming Low Voltage <input type="checkbox"/> B39 Emergency Lighting Battery Pack <b>Housing Construction Options</b> <input type="checkbox"/> C29 Housing Wet Location <b>Packaging Options</b> <input type="checkbox"/> K0 Pack Bulk/Pallet Packed and/or wrapped <b>Fusing and Breaker Options</b> <input type="checkbox"/> T6 Fuseholder, In-line Single Pole <b>Wiring Options</b> <input type="checkbox"/> V25 Radio Frequency Filter <input type="checkbox"/> V39 Night Light - White LED <b>Reflector Options</b> <input type="checkbox"/> VF1 Full (95% Reflectance) Specular <b>Approvals Options</b> <input type="checkbox"/> X7 Listed for Canada/USA <input type="checkbox"/> X12 IP55 rated							
			<b>Door/Housing Gauge</b>			<b>Colour Temp. Deg. K</b>													
			B - 16 Ga. CRS (Painted) C - 14 Ga. CRS (Painted) D - 12 Ga. CRS (Painted) F - 16 Ga. SS #304 (Painted) G - 14 Ga. SS #304 (Painted) J - 16 Ga. SS #304 (#4 Brushed)** K - 14 Ga. SS #304 (#4 Brushed)** ** Not Available as Housing Material			30K - 3000K 35K - 3500K 40K - 4000K 50K - 5000K													
							<b>Lumens</b>												
							026L - 2600lm 039L - 3900lm 052L - 5200lm 078L - 7800lm 104L - 10400lm												
								<b>Internal/External Lens</b>											
								P00 - None P13 - .125 Prismatic Acrylic P45 - .125 Clear Polycarbonate P16 - .125 Prismatic Polycarbonate P42 - .156 Prismatic Polycarbonate P43 - .187 Prismatic Polycarbonate P46 - .187 Clear Polycarbonate P49 - .187 Clear Tempered Glass P08 - .250 Clear Polycarbonate P50 - .250 Clear Tempered Glass P47 - .375 Clear Polycarbonate P51 - .375 Clear Tempered Glass P48 - .500 Clear Polycarbonate P52 - .500 Clear Tempered Glass P74 - .005 UV Overlay P82 - .080 White Translucent Acrylic											

Model Numbers relate to specific designs, refer to product photo and Dimension sections for additional details.

### Lumen/System Watts

Size	Lumens	System Watts
1x2	2600	25
	3900	36
	5200	47
1x4	2600	25
	5200	47
	7800	75
	10400	98

Note: Maximum lens thickness combined is .625"

Other options may be available consult factory. Specifications and data subject to change without notice

Vandal Resistant

