

### NOTES

- Installation should be completed by an individual familiar with the construction and operation of the luminaire.
- Installation of luminaire must be in accordance with nation and local building and electrical codes.
- Carefully read and follow all warnings and instructions before installing or servicing the luminaire.
- Instructions do not cover all details and all possible product configurations
- Do not restrict luminaire ventilation.
- Ensure LED luminaire is not covered with material that will prevent convection or conduction cooling.
- Do not exceed luminaire's maximum ambient temperature.
- Ensure LED luminaire has the correct polarity before installation.
- This product has maximum rated output of 55Vdc. This output complies with the definition of Class 2 per Canadian Electrical Code. This output cannot be accessible based on maximum voltage restrictions for Class 2 circuits in Canadian Electrical Code. This product complies with this requirement since the installation instruction requires installation in restricted access area.

### WARNINGS

#### Electric shock:

- Disconnect or turn off power before installing or servicing luminaire.
- All electrical wiring to be completed by a qualified licensed electrician in accordance with local and National/Canadian Electrical Code.
- Ensure supply voltage corresponds with the correct ballast/driver voltage.
- Avoid exposing wiring to metal edges and sharp objects.
- Ensure that the luminaire is properly grounded to prevent electric hazards.

#### Fire:

- Keep flammable and combustible materials away from the light source and/or lens.
- Use correctly rated supply conductors as indicated by product labeling.

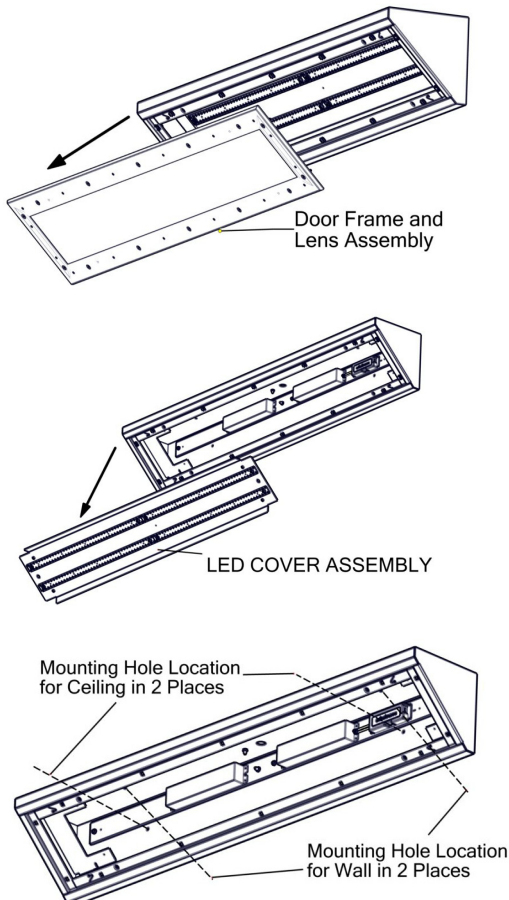
#### Burn:

- Allow luminaire to cool before handling luminaire.

#### Personal Injury:

- Wear safety glasses and gloves when handling the luminaire to avoid physical injury.
- Avoid direct eye contact with light source.
- Always support the weight of the luminaire.

Viscor Inc. is not responsible for any injuries due to the improper installation of handling of its products.



1. Disconnect main power.
2. Remove fasteners to slide out the door frame and lens assembly.
3. Remove fasteners to slide out LED cover assembly.
4. Secure the fixture to wall surface at its intended location with appropriate hardware (supplied by others). Two (2) fixture mounting points for the ceiling and Two (2) mounting points for the wall are provided.
5. Wall and mounting hardware must be capable of supporting the full weight of the fixture and meet local building codes. The estimated fixture weight is 16 kg (35lbs).
6. Once housing is firmly attached to the wall, make wiring connections. Ensure the fixture is properly grounded to the fixture stud. An access hole is provided on the fixture for power and ground wires.
7. Re-attach the LED cover and door frame and lens assembly in the order it was removed.