

Project	
Type	
Date	
Product Code	
Approved by	

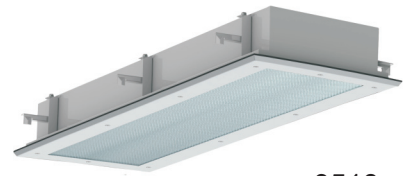
## SAF 1X4 - Superseal Alpha Flanged - Cleanroom

Premium Recessed Flanged Cleanroom Luminaire  
Suitable for ISO Class 4 - 8 Cleanrooms  
LED

Cleanroom

### Product Specifications - Application

The SAF series by Certolux is a specification-grade, **LED** recessed flanged IP65, IP66 IC-rated luminaire, for ISO Class 4 Cleanrooms. Available in 1x4 configurations. Ideal for Pharmaceutical manufacturing, Food Processing, Life Sciences and laboratories. NSF/ANSI 2 Food Zone Non-contact and Splash Zone Applications. For use in Wet Locations, insulated ceilings. For use in Hazardous Locations, consult ordering key.



3518

### Product Specifications

#### Housing

Precision formed, TIG welded, one piece 18 gauge cold rolled steel housing.

#### Mounting

Swing arm mounting brackets, with vertical adjustability, are used to mount the fixture against the ceiling. Brackets provide an improved continuous seal to plenum eliminating fixture distortion.

#### Lens and Lens Retention

The standard lens assembly is made with a tempered safety glass sealed to the lens frame with a non-silicone sealant together with an overlay of a pattern #12 acrylic lens, mechanically secured.

#### Door Frame

One piece 60° beveled perimeter door frame, fabricated from 18 gauge, cold rolled steel with TIG welded corners. The door assembly is self centering by means of locating studs. It is retained by stainless steel aircraft cable when opened. Specialized, military grade, flat head, stainless steel, captive fasteners with integral silicone o-rings easily secure door frame to housing through use of floating cage nuts. Silicone o-rings offer superior performance and longer life over comparable teflon bushings. Protective stops prevent the fasteners from being over-tightened and bending the lens door frame. Custom shaped, extruded closed cell silicone gasketing is used throughout to ensure precise, redundant seals between door assembly, housing and plenum. Vulcanized corners ensure continuity of the seal on the frame gasket. Continuous retention-mounts mechanically secure and evenly distribute force against both gasketing and diffuser.

#### Finish

The luminaire is in a polyester powder painted white finish.

#### Approvals

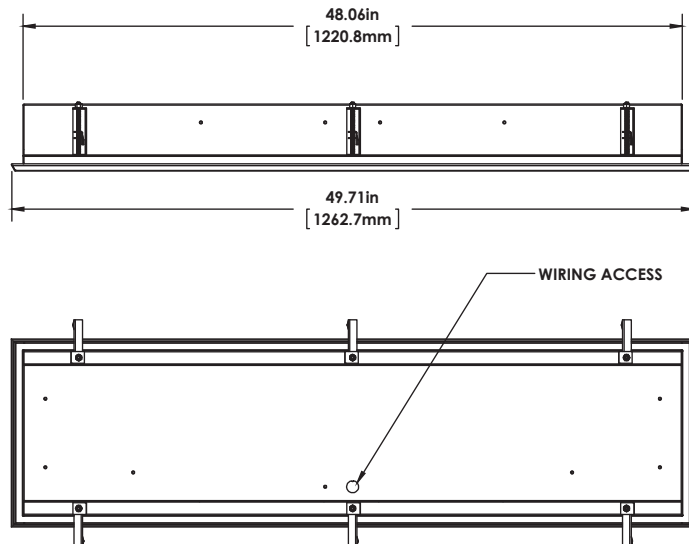
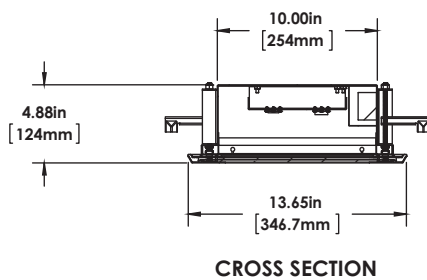
Approved to CSA and UL standards. UL listed for wet locations, insulated ceilings. For use in Hazardous Locations Class I Zone 2, Zone 22. Consult ordering key for HazLoc options and Temperature Codes. IP65 & IP66.



#### Electrical

Long life LED's coupled with high efficiency drivers provide quality illumination. Rated to deliver an L80 performance >50,000 hours. The standard driver has a THD of <20%. Standard low-voltage dimming (0-10V, 1%). All electrical components are CSA or UL approved.

### Dimensions



#### Dimension Note:

Exterior fixture dimensions displayed. Please see installation guide for exact ceiling cut-out and mounting details or consult factory.

Project	
Type	
Date	
Product Code	
Approved by	

# SAF 1X4 - Superseal Alpha Flanged - Cleanroom

Premium Recessed Flanged Cleanroom Luminaire  
Suitable for ISO Class 4 - 8 Cleanrooms  
LED

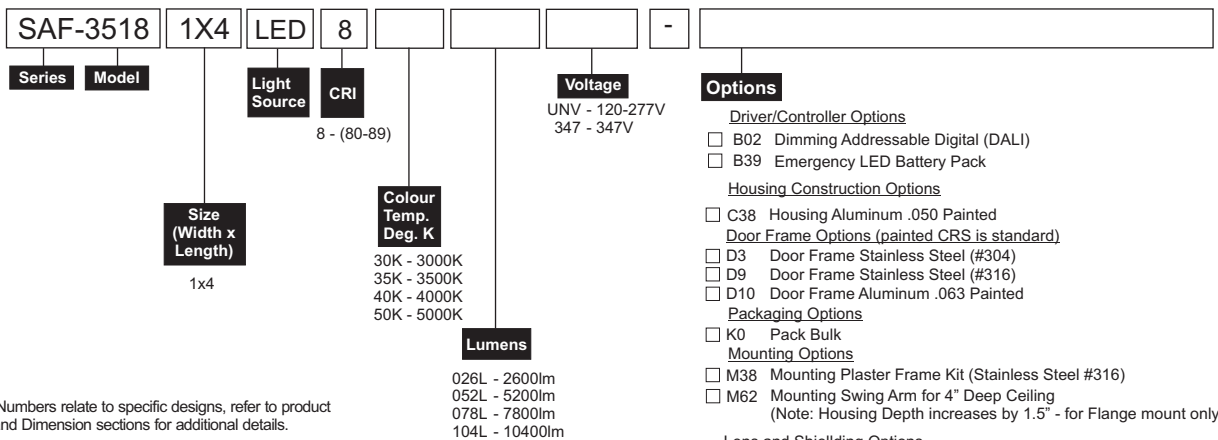
## Product Specifications - Application

The SAF series by Certolux is a specification-grade, **LED** recessed flanged IP65, IP66 IC-rated luminaire, for ISO Class 4 Cleanrooms. Available in 1x4 configurations. Ideal for Pharmaceutical manufacturing, Food Processing, Life Sciences and laboratories. NSF/ANSI 2 Food Zone Non-contact and Splash Zone Applications. For use in Wet Locations, insulated ceilings. For use in Hazardous Locations, consult ordering key.



3518

## Ordering



### Lumen/System Watts

Size	Lumens	System Watts	Temp. Codes (XH only)
1x4	2600	25	T3C
	5200	47	
	7800	75	
	10400	98	

### Red LED Array - Lumen/System Watts

Size	Rows of LED	Lumens	System Watts
1x4	1	2045	54
	2	4090	108

### Lens and Shielding Options (Clear Tempered Glass w/Pattern 12 Prismatic Acrylic overlay is standard)

- P56 Lens Clear Acrylic
- P06 Lens Clear Glass Tempered
- P11 Lens .156 Acrylic - P19
- P13 Lens Prismatic Acrylic - P12 .125" Thick
- P14 Lens Clear Glass Tempered with Prismatic Acrylic Overlay
- P16 Lens Prismatic Polycarbonate - P12
- P82 White Translucent Acrylic .080
- P73 Lens White Translucent Polycarbonate

### Wiring Options

- V57 Sealed Wireway 90 degree connector w/10ft Liquid Type Flex 3/14Ga. Wire
- V80 Red LED array - One Row
- V81 Red LED Array - Two Rows

### Approval and Rating Options

- X5 NSF (National Sanitation Foundation)
- XH\* Class I Zone 2 Groups IIC, IIB + H2, IIA  
Zone 22 Groups IIB, IIA  
(Class I Div 2 Groups A,B,C,D  
Class II Div 2 Groups F,G  
Class III)  
T3C or T4

\*Occupancy/Motion Sensors and 1% dimming are not available with Hazardous Location Luminaires

Other options may be available consult factory.  
Specifications and data subject to change without notice

