



VISCOR INC

Viscor Inc  
35 Oak Street  
Toronto, ON Canada M9N 1A1  
www.viscor.com

Tel: 416.245.7991  
Fax: 416.245.4778

Title:

**KIT00013**

ERP# IIS00093

Date: FEB2015

**WARNINGS**

**Electric shock:**

- Disconnect or turn off power before installing or servicing luminaire.
- All electrical wiring to be completed by a qualified licensed electrician in accordance with local and National/Canadian Electrical Code.
- Ensure supply voltage corresponds with the correct ballast/driver voltage.
- Avoid exposing wiring to metal edges and sharp objects.
- Ensure that the luminaire is properly grounded to prevent electric hazards.

**Fire:**

- Keep flammable and combustible materials away from the light source and/or lens.
- Use correctly rated supply conductors as indicated by product labeling.

**Burn:**

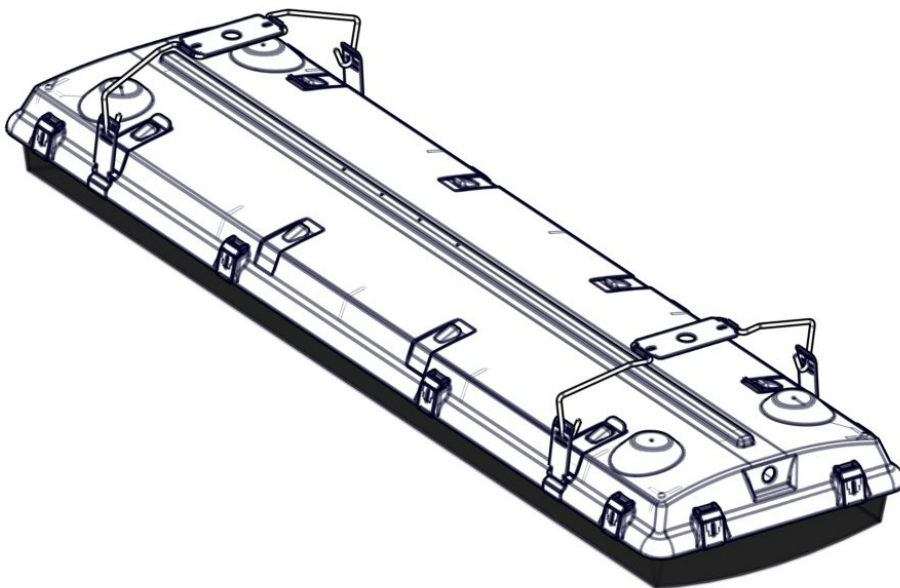
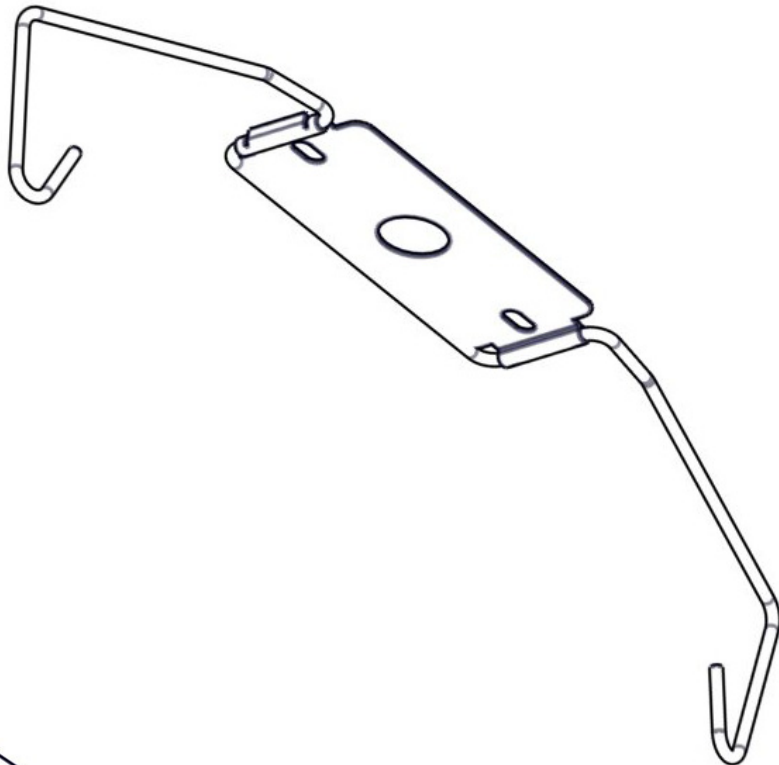
- Allow luminaire to cool before handling luminaire.

**Personal Injury:**

- Wear safety glasses and gloves when handling the luminaire to avoid physical injury.
- Avoid direct eye contact with light source.
- Always support the weight of the luminaire.

**KIT00013**

MOUNTING CEILING PLATE W/  
WIREFORM.M39 (x 2 pieces)



The Viscor Group

