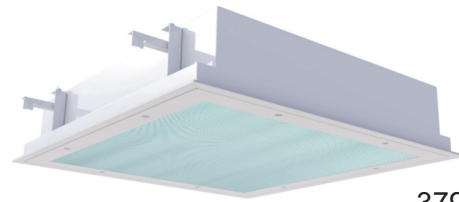


Project	
Type	
Date	
Product Code	
Approved by	

MD1IF 2x2 - Medical Surgical Symmetric/Asymmetric

Recessed Luminaire With Inset Door Flange
Medical Surgical Luminaire
LED



3792

Medical Facility

Product Specifications - Application

The MD1 series by Certolux is an IC-rated specification-grade, sealed surgical/operating room luminaire. The symmetric/asymmetric lens allows for precise optical control and is available in 2x2 configurations. For use in insulated ceilings.

Product Specifications

Housing

Precision formed, 18 gauge cold rolled steel. Wiring access plate or knockouts are provided on back of housing, for flexible conduit attachment.

Mounting

Flange Mount - Unit is mounted via swing arms

LED

LED board arrays offered in various colour temperatures and lumen packages. Optional Green LED arrays available with standard 2000 lumens/2ft (1 or 2 rows max). Green LED arrays operated by separate driver(s).

Door Frame

18 ga. CRS doorframe is secured to housing with stainless steel aircraft cables and captive, flush-mounted Phillips-head fasteners.

Lens

The symmetric/asymmetric acrylic lens is complete with an RFI 3/8" square metalized grid and is grounded to the housing and is complete with a .125" thick clear acrylic underlay. Other lens options available. (See Ordering Key)

Finish

The luminaire is a powder painted white finish and offers a high reflectivity coating for improved lighting performance and efficiency. Anti-microbial finish is also available.

Electrical

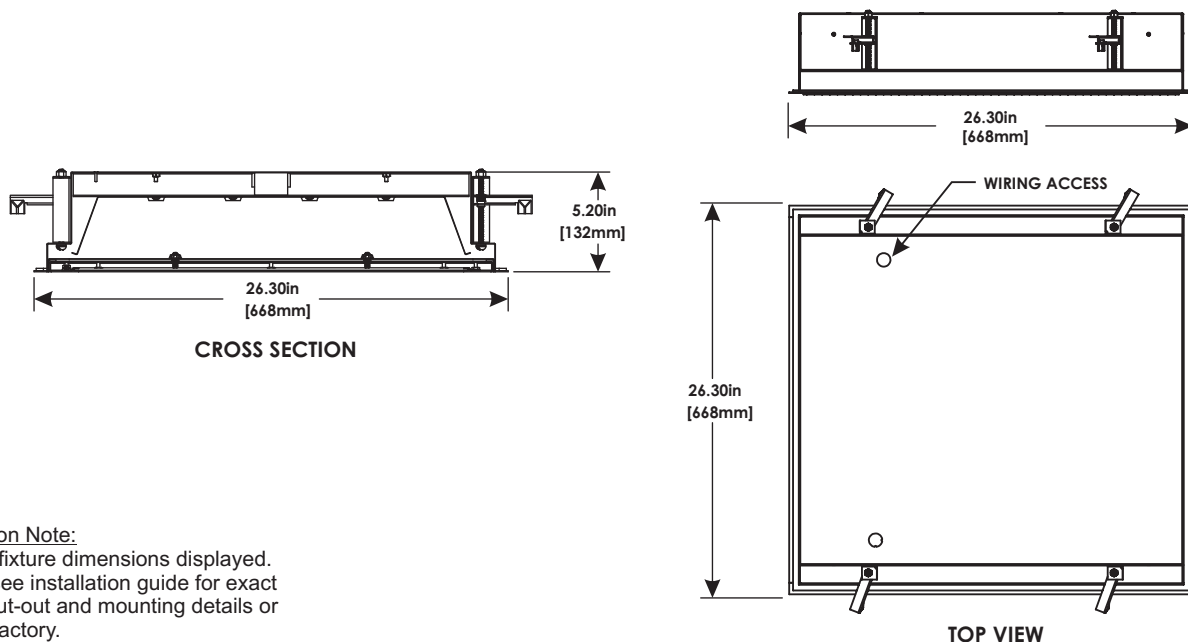
All electrical components are CSA or UL approved. Lamp holders provided ensure positive lamp retention. The standard driver has a THD of <20%. Standard low-voltage dimming (0-10v, 1%). Luminaires are provided with an access plate, to facilitate wiring to external power source.

Approvals

Approved to CSA and UL standards. UL listed for insulated ceilings. MIL STD 461F available upon request (see options).



Dimensions



Dimension Note:

Exterior fixture dimensions displayed. Please see installation guide for exact ceiling cut-out and mounting details or consult factory.

