



Project
Type
Date
Cat #

Application Features

Commercial-grade, surface-mounted wrap-around ceiling luminaire. For use with indoor applications where contemporary styling and energy-efficiency are primary considerations. Regressed housing provides a floating appearance.

Specifications

Optical System

Standard white opal acrylic diffuser features a soft contoured and radiused design for even and low-glare illumination.

Mounting

Mounting holes are embossed to prevent distortion of housing when tightening mounting fasteners. Offset mounting pads are formed within the housing, and keep luminaire level and slightly off of the mounting surface. Mounts over electrical junction box.

Construction

Die-formed, code gauge steel housing. Ballast cover snaps into place eliminating the need for tools when accessing the ballast.

Finish

Pre-painted, high-reflectance white housing.

Electrical

Long life LEDs coupled with high efficiency drivers, provide quality illumination. Rated to deliver L80 performance > 50,000 hours. Sufficient knockouts are provided for connections and through wiring.

Approvals

Approved to CSA/UL standards.
Tested in accordance to IESNA LM-79.
Suitable for damp locations.
DesignLights Consortium® Qualified.



All configurations may not be DLC qualified.
Check www.designlights.org/QPL for qualified configurations.

Warranty

5 year limited warranty. For complete warranty terms visit:
http://viscor.com/assets/Viscor_LED_Warranty.pdf

Features

- Standard low voltage dimming (0-10v)
- Sloped sides provide a cloud-like floating profile
- Diffuser hinges from either side in a lift and shift manner and is self-centered for easy maintenance
- White opal acrylic wrap-around diffuser

Options & Adders

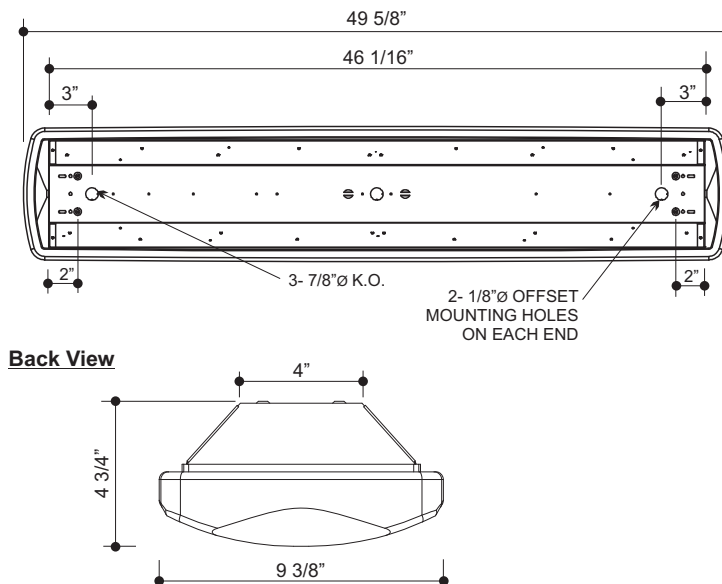
- Dimmable and Emergency battery pack

Applications

- Fitting Rooms
- Kitchens
- Recreation Rooms
- Utility Areas



Dimensions



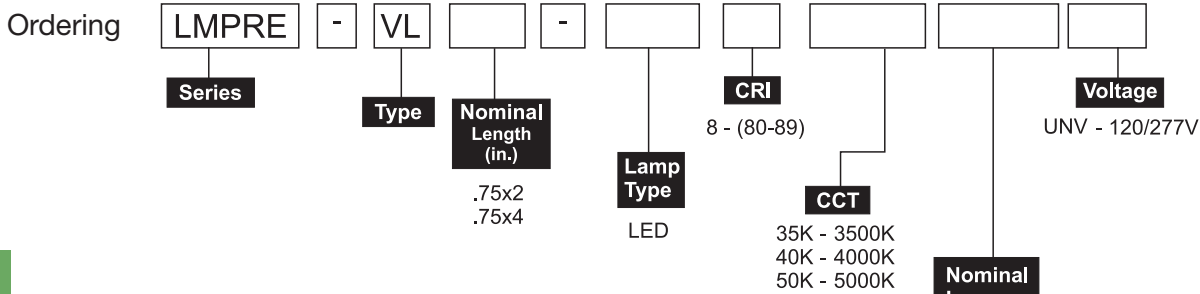
Project
Type
Date
Cat #

LMPRE VL LED Magic Prestige

Commercial-Grade Surface-Mounted Cloud Light Ceiling Luminaire



Photometrics - Please consult www.viscor.com for photometric results.



Example:

LMPRE-VL.75x4-LED840K035LUNV

Other options may be available consult factory.
Specifications and data subject to change without notice.

.75x2	035L - 3500
.75x4	035L - 3500 050L - 5000

Size	Nominal Lumens		Watts
.75x2	035L	3500	32
.75x4	035L	3500	32
.75x4	050L	5000	46



ARCHITECTURAL LIGHTING