



Project
Type
Date
Cat #

## Application Features

LED premium grade fixture. The luminaire is a sleek, 2x2 design to complement any interior. The LHBR is the perfect LED option for general purpose lighting applications, commercial offices, retail merchandising and many other applications. Accepted for inclusion in the 2015 IES Progress Report.

## Specifications

### Optical System

Standard unit is equipped with white translucent polycarbonate lens.

### Mounting

Holes provided for chain-mounting support to building structure. Lay-in type luminaire for exposed grid type acoustical ceiling structure.

### Construction

Solid metal welded fabricated housing with integral ventilation slots and finned aluminum heatsink. Hinged and latched door frame.

### Finish

Polyester powder painted matte white finish is standard.

### Electrical

Long life LEDs coupled with high efficiency drivers provide quality illumination. Rated to deliver L80 performance > 50,000 hours at 40 degree celcius ambient temperature. CSA/UL approved electronic components.

### Approvals

Approved to CSA and UL standards. Suitable for damp locations. UL listed for insulated ceilings. Tested in accordance to IESNA LM-79.

DesignLights Consortium® Qualified.

All configurations may not be DLC qualified. Check [www.designlights.org/QPL](http://www.designlights.org/QPL) for qualified configurations.



### Warranty

5 year limited warranty. For complete warranty terms visit: [http://viscor.com/assets/Viscor\\_LED\\_Warranty.pdf](http://viscor.com/assets/Viscor_LED_Warranty.pdf)

## Features

- Sleek design complements any interior
- Standard low voltage dimming (0-10v)
- 80+ CRI
- 2x2 configuration
- 4000K Standard
- For use in insulated ceilings

## Options & Adders

- Emergency Lighting Battery Pack
- Wireguard

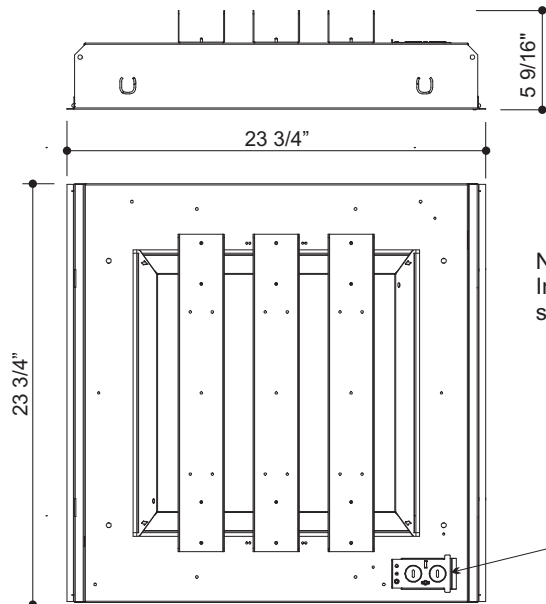
## Applications

- Schools
- Retail Stores
- Offices
- Showrooms
- Atriums

LED

HIGHBAY LIGHTING

## Dimensions



Note: Designed to fit into standard Insulated Ceiling, Nema G suspended grid T-bar ceiling.

WIRE ACCESS PLATE w/ 2x 7/8" K.O.

Project
Type
Date
Cat #

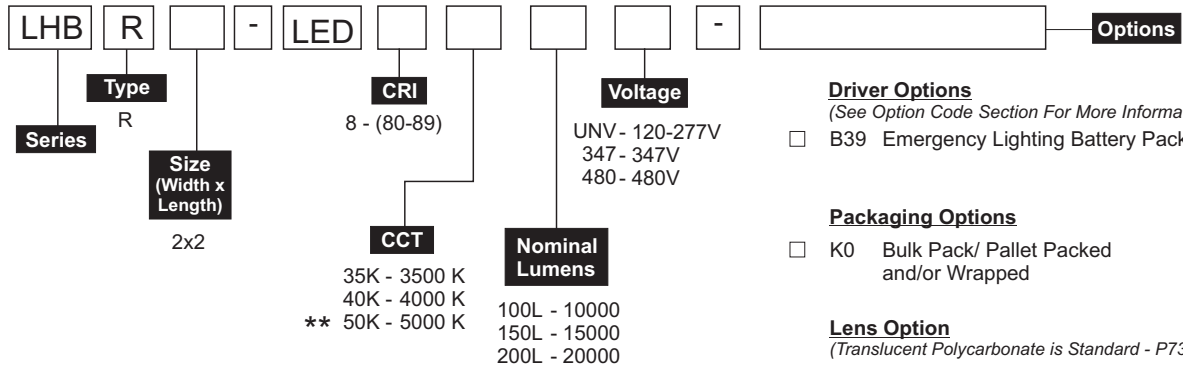
# LHBR LED High Bay Recessed

Premium-Grade Recessed Static T-Bar Luminaire



**Photometrics** - Please consult [www.viscor.com](http://www.viscor.com) for photometric results.

## Ordering



- Driver Options**  
(See Option Code Section For More Information)
- B39 Emergency Lighting Battery Pack
- Packaging Options**
- K0 Bulk Pack/ Pallet Packed and/or Wrapped
- Lens Option**  
(Translucent Polycarbonate is Standard - P73)
- P82 White Translucent Acrylic
- Wireguard Options**
- W1 Wireguard Heavy Duty Painted

**Example:**

**LHBR2x2- LED840K150LUNV**

*Other options may be available consult factory.  
\* Specifications and data subject to change without notice.  
\*\* Consult factory for availability.*

Size	Nominal Lumens	Watts
2x2	100L	91
	150L	136
	200L	181

LED  
HIGHBAY LIGHTING