



Project
Type
Date
Cat #

## Application Features

Commercial-grade, surface-mounted wrap-around ceiling luminaire. For use with indoor applications where contemporary styling and energy-efficiency are primary considerations.

## Specifications

### Optical System

The standard polycarbonate diffuser features a soft curve designed for an even and low-glare illumination.

### Mounting

Embossed mounting holes are provided to prevent distortion of housing when tightening mounting fasteners. Offset mounting pads are formed within the housing and keep luminaire level and slightly off of the mounting surface. Mounts over electrical junction box.

### Construction

Die-formed, code gauge steel housing. Ballast cover snaps into place eliminating the need for tools when accessing the ballast.

### Finish

Post-painted, high-reflectance white housing.

### Electrical

Long life LEDs coupled with high efficiency drivers, provide quality illumination. Rated to deliver L80 performance > 50,000 hours. Sufficient knockouts are provided for connections and through wiring.

### Approvals

Approved to CSA/UL standards.  
Tested in accordance to IESNA LM-79.  
Suitable for damp locations.



DesignLights Consortium® Qualified.

All configurations may not be DLC qualified.  
Check [www.designlights.org/QPL](http://www.designlights.org/QPL) for qualified configurations.

### Warranty

5 year limited warranty. For complete warranty terms visit:  
[http://viscor.com/assets/Viscor\\_LED\\_Warranty.pdf](http://viscor.com/assets/Viscor_LED_Warranty.pdf)

## Features

- Standard low voltage dimming (0-10v)
- Diffuser is pressure- fitted into place to create a clean looking, easy maintenance lens.
- Shallow ADA design
- Continuous row-mounting capability
- Available in a variety of sizes - please consult the product key for options

## Options & Adders

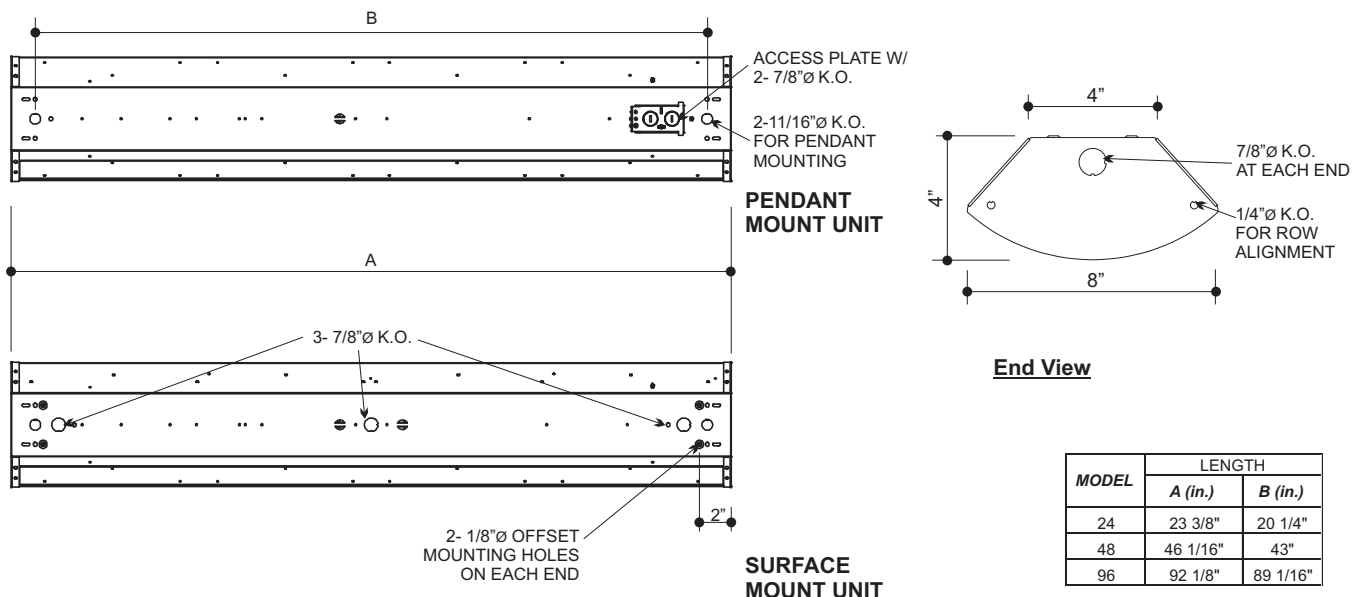
- Dimmable and Emergency battery pack

## Applications

- Fitting Rooms
- Corridors
- Recreation Rooms
- Utility Areas



## Dimensions



MODEL	LENGTH	
	A (in.)	B (in.)
24	23 3/8"	20 1/4"
48	46 1/16"	43"
96	92 1/8"	89 1/16"

**SURFACE MOUNT UNIT**

Project
Type
Date
Cat #

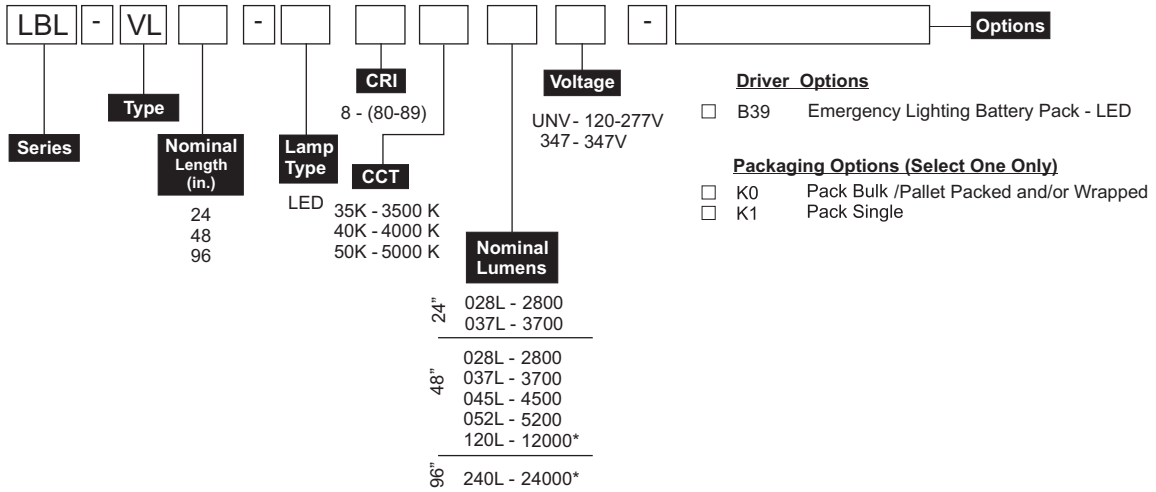
# LBL VL LED Bay Luminaire

Commercial-Grade Surface-Mounted Ceiling Luminaire



Photometrics - Please consult [www.viscor.com](http://www.viscor.com) for photometric results.

## Ordering



### Example:

**LBL-VL48-LED840K045LUNV**

Other options may be available consult factory.  
Specifications and data subject to change without notice.

Size	Nominal Lumens		Nominal Watts
24	028L	2800	23
24	037L	3700	32
48	028L	2800	23
48	037L	3700	32
48	045L	4500	39
48	052L	5200	46
48	120L*	12000	103
96	240L*	24000	206

