

Project	
Type	
Date	
Product Code	
Approved by	

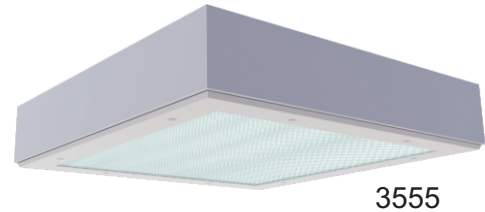
## CRS 2X2 - Cleanroom

Surface Mount 2x2 Cleanroom Luminaire  
Suitable for ISO Class 5 - 8 Cleanrooms  
LED

Cleanroom

### Product Specifications - Application

The CRS2X2 series by Certolux is a specification-grade, **LED** surface mount, overlapping door, IP65 luminaire, for ISO Class 5 - 8 Cleanrooms. The overlapping single piece door design provides for a continuous seal to the sealed housing. The luminaire can be ceiling or wall mounted. For Hazardous Locations, consult ordering key. NSF/ANSI 2 Food Zone, Splash Zone and Non-Food Zone Applications (see ordering key).



3555

### Product Specifications

#### Housing

Precision formed, TIG welded, one piece 18 gauge cold rolled steel housing. Welded studs are used in order to mount components, offering superior performance over PEM style fasteners.

#### Mounting

Mounting holes are provided on the back of the housing.

#### Lens and Lens Retention

The standard lens assembly is made with a tempered safety glass sealed to the lens frame with a non-silicone sealant together with an overlay of a pattern #12 acrylic lens, mechanically secured. Other lens options available. (see product ordering guide)

#### Finish

The luminaire is in a polyester powder painted white finish.

#### Door Frame

One piece 60° beveled perimeter door frame, fabricated from 18 gauge, cold rolled steel with TIG welded corners. It is retained by stainless steel aircraft cable when opened. Specialized, military grade, flat head, stainless steel, captive fasteners with integral silicone o-rings easily secure door frame to housing through use of floating cage nuts. Silicone o-rings offer superior performance and longer life over comparable teflon bushings.

#### Door Frame Gasket

Custom shaped, extruded closed cell silicone gasketing is used throughout to ensure precise, seals between door assembly and housing. Vulcanized corners ensure continuity of the seal on the frame gasket. Continuous retention-mounts mechanically secure and evenly distribute force against both gasketing and diffuser.

#### Reflector

Painted white reflector is standard, optional VF1 reflectors are available which are made of specular anodized aluminum with a minimum reflectivity of 95% (see product ordering guide).

#### Approvals

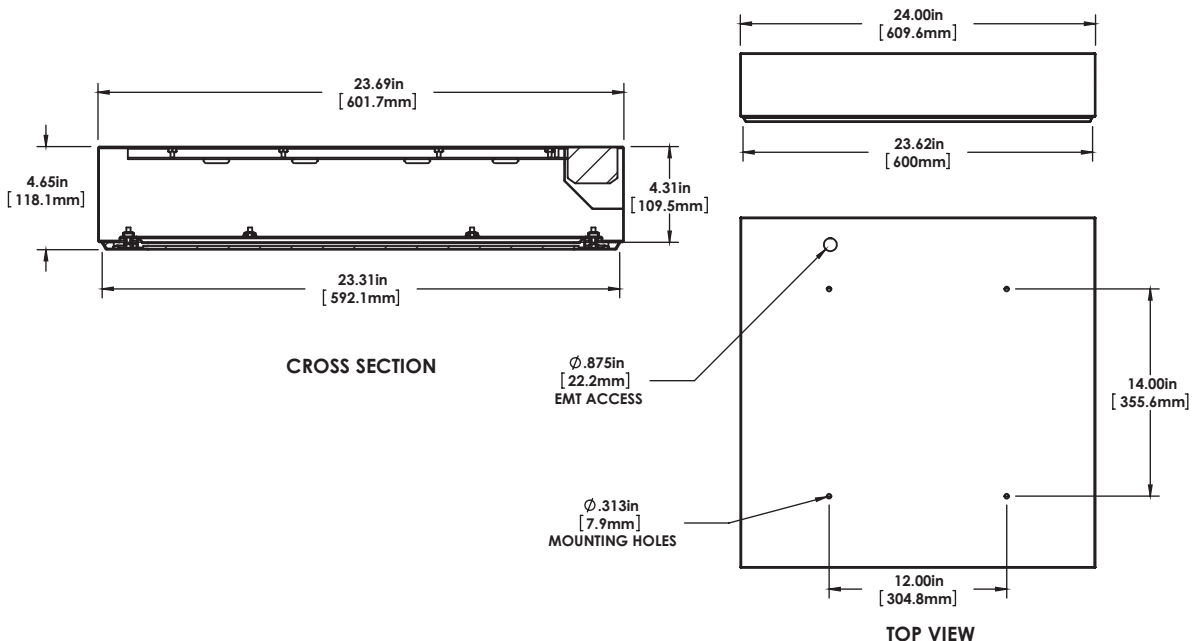
Approved to CSA and UL standards. For use in Hazardous Locations Class I Zone 2, Zone 22. Consult ordering key for HazLoc options and Temperature Codes. NSF Listed (see ordering key).



#### Electrical

Long life LED's coupled with high efficiency drivers provide quality illumination. Rated to deliver an L80 performance >50,000 hours. The standard driver has a THD of <20%. Standard low-voltage dimming (0-10v, 1%). All electrical components are CSA or UL approved. A 1/2" EMT hole is provided for wiring connections.

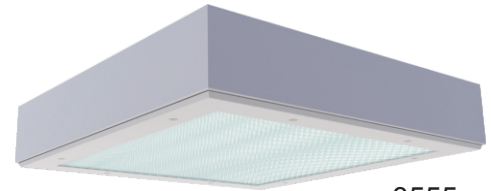
### Dimensions



Project	
Type	
Date	
Product Code	
Approved by	

## CRS 2X2 - Cleanroom

Surface Mount 2x2 Cleanroom Luminaire  
Suitable for ISO Class 5 - 8 Cleanrooms  
LED



3555

### Product Specifications - Application

The CRS2X2 series by Certolux is a specification-grade, **LED** surface mount, overlapping door, IP65 luminaire, for ISO Class 5 - 8 Cleanrooms. The overlapping single piece door design provides for a continuous seal to the sealed housing. The luminaire can be ceiling or wall mounted. For Hazardous Locations, consult ordering key. NSF/ANSI 2 Food Zone, Splash Zone and Non-Food Zone Applications (see ordering key).

### Ordering

CRS-3555	2X2	/	-	LED	8					
<b>Series</b>	<b>Model</b>	<b>Size (Width x Length)</b>	<b>Door/Housing Gauge</b>	<b>Light Source</b>	<b>CRI</b>	<b>Colour Temp. Deg. K</b>	<b>Voltage</b>	<b>Lumens</b>	<b>Options</b>	
	2x2		A - 18 Ga. CRS (Painted)* E - 18 Ga. SS #304 (Painted) H - 18 Ga. SS #304 (#4 Brushed) L - 18 Ga. SS #316 (Painted)	8 - (80-89)		30K - 3000K 35K - 3500K 40K - 4000K 50K - 5000K	UNV - 120-277V 347 - 347V	026L - 2600lm 035L - 3500lm 052L - 5200lm 078L - 7800lm	<b>Driver Options</b> <input type="checkbox"/> B02 Dimming Addressable Digital (DALI) <input type="checkbox"/> B39 Emergency Lighting Battery Pack <b>Packaging Options</b> <input type="checkbox"/> K0 Pack Bulk/Pallet Packed and/or wrapped <b>Lens Options</b> <input type="checkbox"/> P56 .125 Clear Acrylic <input type="checkbox"/> P45 .125 Clear Polycarbonate <input type="checkbox"/> P13 .125 Prismatic Acrylic - K12 <input type="checkbox"/> P16 .125 Prismatic Polycarbonate - K12 <input type="checkbox"/> P15 .140 Prismatic High Impact Acrylic - K12 <input type="checkbox"/> P11 .156 Prismatic Acrylic - K19 <input type="checkbox"/> P18 UV Filtering <input type="checkbox"/> P06 Clear Tempered Glass <input type="checkbox"/> P43 .187 Prismatic Polycarbonate - K12 <input type="checkbox"/> P49 .187 Clear Tempered Glass <input type="checkbox"/> P14 Clear Tempered Glass with Prismatic Acrylic Overlay <input type="checkbox"/> P82 White Translucent Acrylic .080 <input type="checkbox"/> P73 Lens White Translucent Polycarbonate <b>Fusing and Breaker Options</b> <input type="checkbox"/> T6 Fuseholder, In-line Single Pole <b>Wiring Options</b> <input type="checkbox"/> V25 Radio Frequency Filter <input type="checkbox"/> V39 Night Light - White LED <input type="checkbox"/> V55 Sealed Wire Entry <input type="checkbox"/> V80 Red LED Array - One Row <input type="checkbox"/> V81 Red LED Array - Two Rows <b>Reflector Options</b> <input type="checkbox"/> VF1 Full (95% Reflectance) Specular <b>Approvals Options</b> <input type="checkbox"/> X5 NSF (National Sanitation Foundation) <input type="checkbox"/> X8 IP65 Rated <input type="checkbox"/> XH Class I Zone 2 Groups IIC, IIB + H2, IIA Zone 22 Groups IIB, IIA (Class I Div 2 Groups A,B,C,D Class II Div 2 Groups F,G Class III) T3C or T4	

\* Standard Door Frame Material  
\* Standard Housing Material

Model Numbers relate to specific designs, refer to product photo and Dimension sections for additional details.

#### Lumen/System Watts

Size	Lumens	System Watts	Temp. Code (XH Only)
2x2	2600	25	T4
	3500	33	
	5200	47	
	7800	75	

#### Red LED Array - Lumen/System Watts

Size	Rows of LED	Lumens	System Watts
2x2	1	1020	27
	2	2045	54

**NOTE: Occupancy/Motion Sensors and 1% dimming are not available with Hazardous Location luminaires (XH Option)**

Other options may be available consult factory. Specifications and data subject to change without notice

