

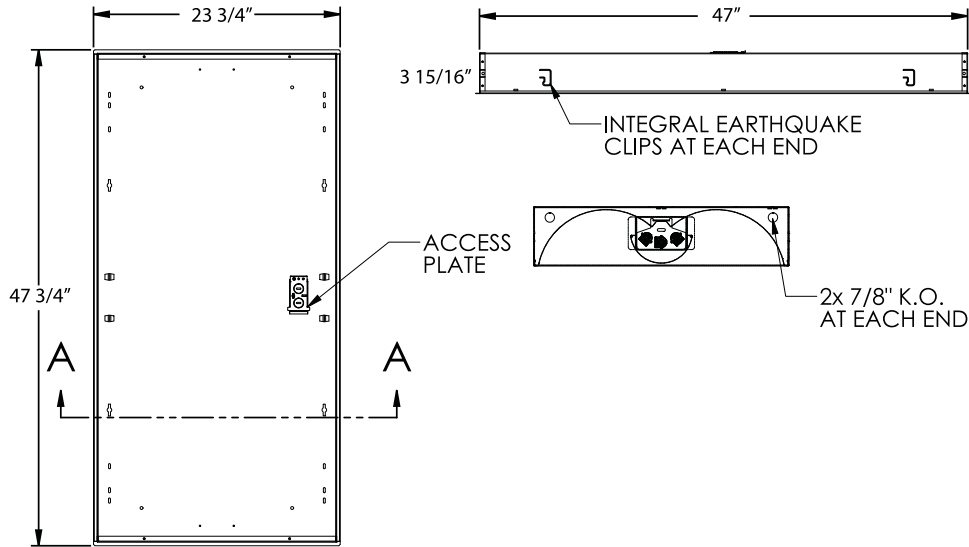


# TDCNS - Troffer Dish Center Basket (Narrow Basket - Shallow Body)

Premium-Grade Recessed Shallow Body Direct/Indirect Center Baffle T-Bar Luminaire

## ProductDetails

### Dimensions



### Ordering

TDCNS [ ] [ ] - [ ] [ ] [ ] [ ] - [ ] Options

**Size (Width x Length)**

1L  
2L  
3L  
4L\*

1x4  
2x2  
2x4

\*2x4 PLL only

**No. of Lamps**

**Lamp Watts**

See Table below

**Lamp Type**

T5  
T5HO  
PLL

**Voltage**

120 - 120V  
347 - 347V  
UNV - 120-277V  
UN4 - 347-480V

**Ballast Type**

N - Instant Start  
P - Prog. Start  
R - Rapid Start

- Ballast Options**  
(See Option Code Section For More Information)
- B01 Ballast Disconnect - In-line Power Disconnect (CSA-UL Req'd For Voltages above 150v)
  - B02 Dimming Addressable Digital (dali)
  - B03 Dimming Low Voltage
  - B04 Dimming Line Voltage
  - B08 Ballast - High Ballast Factor
  - B09 Ballast - Low Ballast Factor
  - B30 Emergency Lighting Battery Pack Spec Grade
  - B33 Emergency Lighting Battery Pack 1-lamp
  - B34 Emergency Lighting Battery Pack 2-lamp

- Housing Construction Options (select one only)**  
White perforated shield is standard
- C06 Housing 20 Gauge Riveted
  - C25 Shield Non-Perforated Matte White

- Packaging Options**
- K0 Bulk Pack

- Fusing and Breaker Options (select one only)**
- T5 Fuseholder, In-line Double Pole
  - T6 Fuseholder, In-line Single Pole

- Wiring Options**
- V09 Flexible Whip (standard 6' X 3-18 Ga. )
  - V19 Modular Wiring System. (consult Factory.)
  - V25 Radio Frequency Filter

- Approval and Rating Options**
- X6 USA Market
  - X7 CSA and USA Market

**Example:**

TDCNS2x42L-T528PUNV-B01C25

**Lamp Watts**

Size	Nom. Lamp Watts		
	T5	T5HO	PLL/Biax
1x4	28	54	40, 50 55
2x2	14	24	40, 50 55
2x4	28	54	40, 50, 55

Certain configurations may not be available. Consult the factory for more information.

Note: For recessed drywall applications, use either a 1x4, 2x2 or 2x4 flange kit (p.237).

Other options may be available.