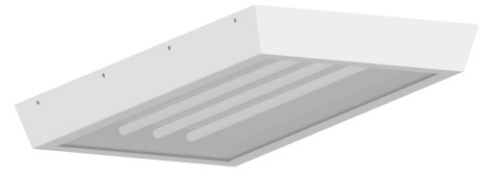


Project	
Type	
Date	
Product Code	
Approved by	

VRS 2X4 - Confinement

Ceiling Mount Luminaire
(Cells, Corridors, Dayrooms)
LED



4022

Product Specifications - Application

The VRS series by Certolux is a specification-grade LED luminaire for maximum security and vandal resistant applications. The clamshell design has concealed hinges, tamper resistant fasteners, contraband trapping backplate, and security lenses. This maximizes impact resistance, prevents contraband concealment and unauthorized fixture tampering/penetration.. The luminaire can be ceiling mounted. 2x2 and 2x4

Product Specifications

Housing

Precision die formed 12, 14, or 16 gauge cold rolled steel housing with 12 gauge continuously welded end plates.

Backplate

Die formed 12, 14 or 16 ga. CRS with embossed mounting holes and contraband trap.

Door Frame

Single piece precision die formed with specified material (see product ordering key). Corners are seam welded. Tamper resistant TORX® Head with center pin fasteners secure door frame to housing.

Hinge

Full Length concealed piano style hinge with .500" knuckle and .125" pin (Pin is secured to knuckle) welded to door frame and fastened to backplate.

Lens and Lens Retention

Multiple lens choices for both fixture side and room facing side (see product ordering key for options). Lens maximum thickness .625". The lens is secured with adjustable V style brackets with through studs on housing faceplate.

Finish

The luminaire is in a powder painted white finish and offers a high reflectivity coating for improved lighting performance and efficiency.

Electrical

Long life LED's coupled with high efficiency drivers provide quality illumination. Rated to deliver an L80 performance >50,000 hours. The standard driver has a THD of <20%. Standard low-voltage dimming (0-10v, 1%). All electrical components are CSA or UL approved.

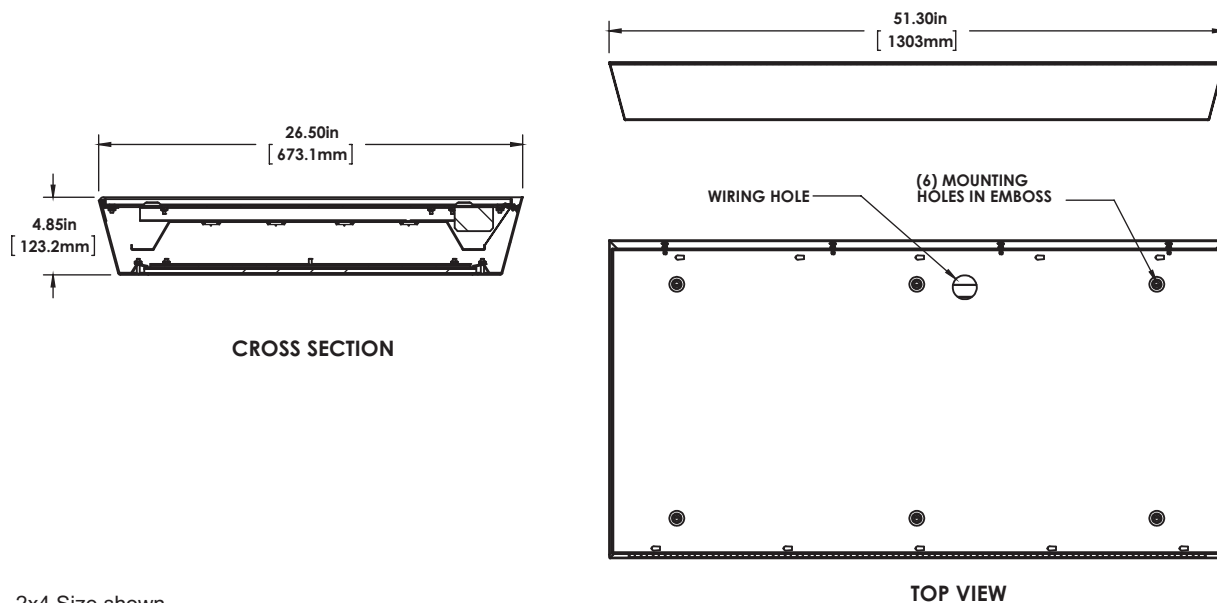
Approvals

Approved to CSA and UL standards.



Vandal
Resistant

Dimensions

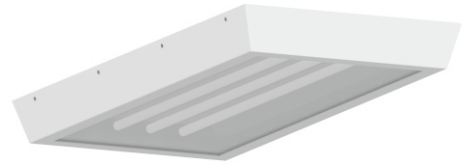


2x4 Size shown.
Specifications and data subject to change without notice

Project	
Type	
Date	
Product Code	
Approved by	

VRS 2X4 - Confinement

Ceiling Mount Luminaire
(Cells, Corridors, Dayrooms)
LED

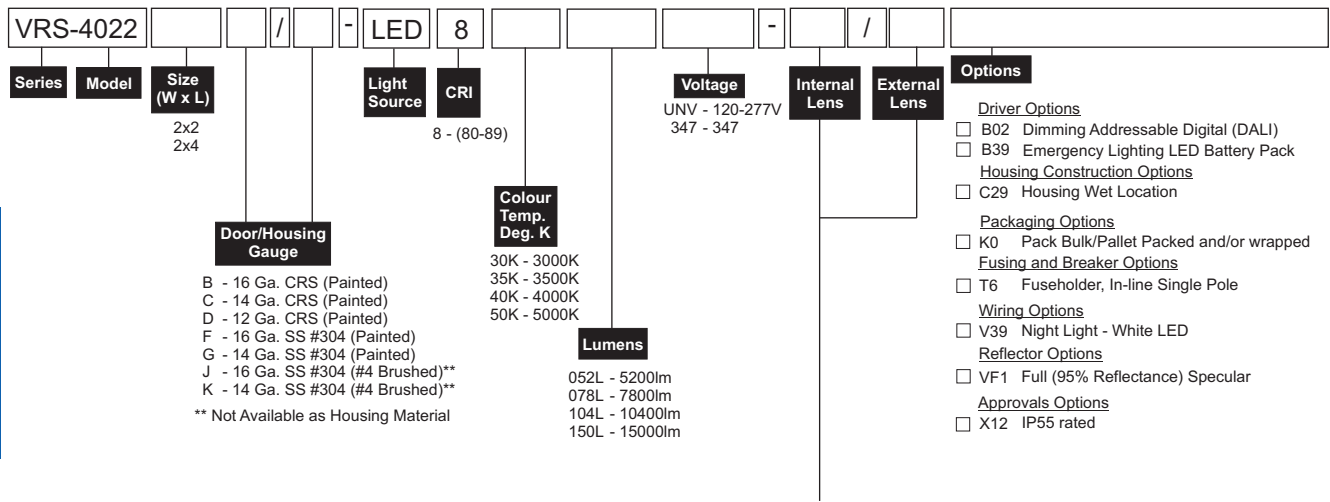


Product Specifications - Application

The VRS series by Certolux is a specification-grade LED luminaire for maximum security and vandal resistant applications. The clamshell design has concealed hinges, tamper resistant fasteners, contraband trapping backplate, and security lenses. This maximizes impact resistance, prevents contraband concealment and unauthorized fixture tampering/penetration.. The luminaire can be ceiling mounted. 2x2 and 2x4

4022

Ordering



Model Numbers relate to specific designs, refer to product photo and Dimension sections for additional details.

- Internal/External Lens**
- P00 - None
 - P13 - .125 Prismatic Acrylic
 - P45 - .125 Clear Polycarbonate
 - P42 - .156 Prismatic Polycarbonate
 - P43 - .187 Prismatic Polycarbonate
 - P46 - .187 Clear Polycarbonate
 - P49 - .187 Clear Tempered Glass
 - P08 - .250 Clear Polycarbonate
 - P50 - .250 Clear Tempered Glass
 - P47 - .375 Clear Polycarbonate
 - P51 - .375 Clear Tempered Glass
 - P48 - .500 Clear Polycarbonate
 - P52 - .500 Clear Tempered Glass
 - P74 - .005 UV Overlay
 - P82 - .080 White Translucent Acrylic

Note: Maximum lens thickness combined is .625"

Lumen/System Watts

Size	Lumens	System Watts
2x4	5200	47
	7800	75
	10400	98
	15000	147

Other options may be available consult factory.
Specifications and data subject to change without notice

