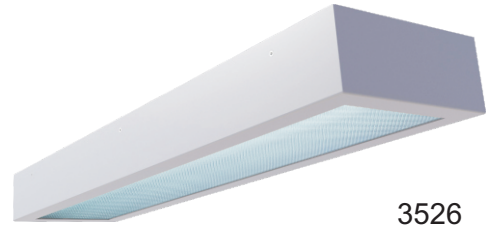


Project	
Type	
Date	
Product Code	
Approved by	

**VRS 1x4 - Confinement**  
 Ceiling Mount Luminaire  
 (Cells, Corridors, Dayrooms)  
 LED



**Product Specifications - Application**

The VRS series by Certolux is a specification-grade LED luminaire for maximum security and vandal resistant applications. The clamshell design has concealed hinges, tamper resistant fasteners, contraband trapping backplate, and security lenses. This maximizes impact resistance, prevents contraband concealment and unauthorized fixture tampering/penetration.. The luminaire can be ceiling mounted.

**Product Specifications**

**Housing**

Precision die formed 12, 14, or 16 gauge cold rolled steel housing with 12 gauge continuously welded end plates.

**Backplate**

Die formed 12, 14 or 16 ga. CRS with embossed mounting holes and contraband trap.

**Door Frame**

Single piece precision die formed with specified material (see product ordering key). Corners are seam welded. Tamper resistant TORX® Head with center pin fasteners secure door frame to housing.

**Hinge**

Concealed piano style hinge with .500" knuckle and .125" pin (Pin is secured to knuckle) welded to door frame and fastened to backplate.

**Lens and Lens Retention**

Multiple lens choices for both fixture side and room facing side (see product ordering key for options). Lens maximum thickness .625". The lens is secured with adjustable V style brackets with through studs on housing faceplate.

**Finish**

The luminaire is in a powder painted white finish and offers a high reflectivity coating for improved lighting performance and efficiency.

**Electrical**

Long life LED's coupled with high efficiency drivers provide quality illumination. Rated to deliver an L80 performance >50,000 hours. The standard driver comes standard with 0-10v dimming and has a THD of <20%. All electrical components are CSA or UL approved.

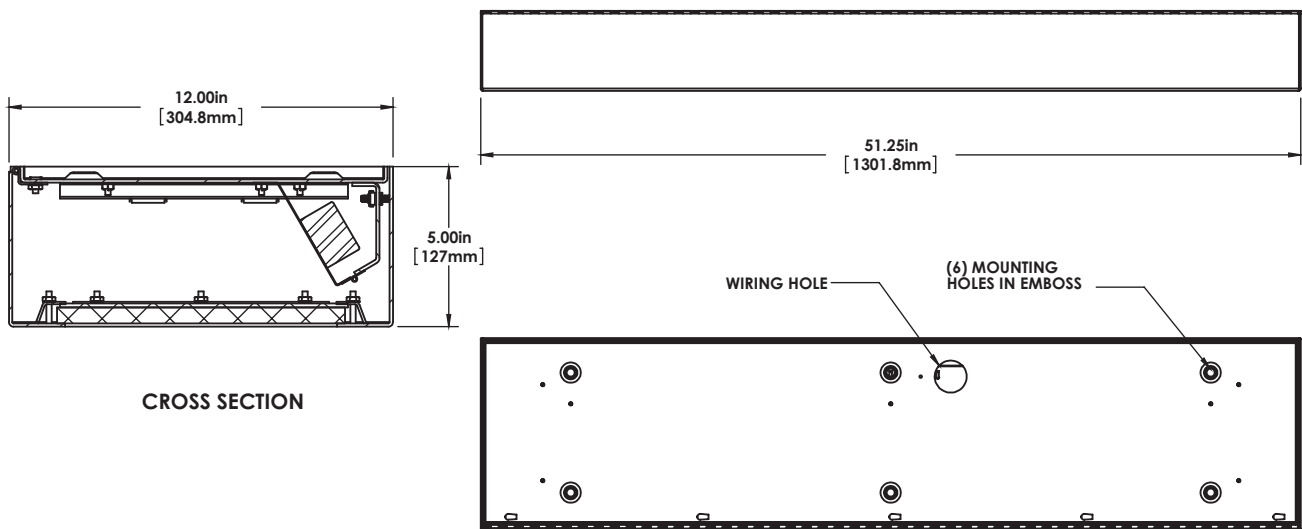
**Approvals**

Approved to CSA and UL standards.



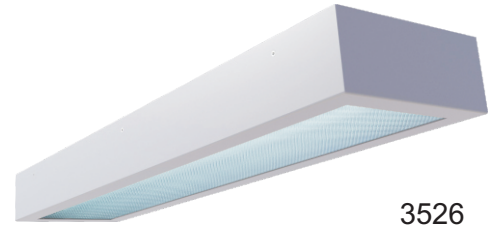
**Vandal Resistant**

**Dimensions**



Project	
Type	
Date	
Product Code	
Approved by	

**VRS 1x4 - Confinement**  
Ceiling Mount Luminaire  
(Cells, Corridors, Dayrooms)  
LED



3526

**Product Specifications - Application**

The VRS series by Certolux is a specification-grade LED luminaire for maximum security and vandal resistant applications. The clamshell design has concealed hinges, tamper resistant fasteners, contraband trapping backplate, and security lenses. This maximizes impact resistance, prevents contraband concealment and unauthorized fixture tampering/penetration.. The luminaire can be ceiling mounted.

**Ordering**

VRS-3526		/		-	LED	8				-	/				
<b>Series</b>	<b>Model</b>	<b>Size (W x L)</b>			<b>Light Source</b>	<b>CRI</b>		<b>Voltage</b>	<b>Internal Lens</b>	<b>External Lens</b>	<b>Options</b>				
		1x4				8 - (80-89)		UNV - 120-277V 347 - 347			<b>Driver Options</b> <input type="checkbox"/> B02 Dimming Addressable Digital (DALI) <input type="checkbox"/> B39 Emergency LED Battery Pack <b>Door Frame Options</b> <input type="checkbox"/> D13 Door Frame Safety Secured <input type="checkbox"/> D14 Door Frame Full Length Hinge <b>Packaging Options</b> <input type="checkbox"/> K0 Pack Bulk/Pallet Packed and/or wrapped <b>Fusing and Breaker Options</b> <input type="checkbox"/> T6 Fuseholder, In-line Single Pole <b>Wiring Options</b> <input type="checkbox"/> V25 Radio Frequency Filter <input type="checkbox"/> V39 Night Light - White LED <b>Reflector Options</b> <input type="checkbox"/> VF1 Full (95% Reflectance) Specular				
		<b>Door/Housing Gauge</b>				<b>Colour Temp. Deg. K</b>									
		B - 16 Ga. CRS (Painted) C - 14 Ga. CRS (Painted) D - 12 Ga. CRS (Painted) F - 16 Ga. SS #304 (Painted) G - 14 Ga. SS #304 (Painted) J - 16 Ga. SS #304 (#4 Brushed)** K - 14 Ga. SS #304 (#4 Brushed)** ** Not Available as Housing Material				35K - 3500K 40K - 4000K 50K - 5000K									
							<b>Lumens</b>								
							26L - 2600lm 52L - 5200lm 78L - 7800lm 104L - 10400lm								
								<b>Internal/External Lens</b>							
								P00 - None P13 - .125 Prismatic Acrylic P45 - .125 Clear Polycarbonate P42 - .156 Prismatic Polycarbonate P44 - .156 Prismatic Tempered Glass P43 - .187 Prismatic Polycarbonate P46 - .187 Clear Polycarbonate P49 - .187 Clear Tempered Glass P08 - .250 Clear Polycarbonate P50 - .250 Clear Tempered Glass P47 - .375 Clear Polycarbonate P51 - .375 Clear Tempered Glass P48 - .500 Clear Polycarbonate P52 - .500 Clear Tempered Glass P82 - .080 White Translucent Acrylic							

Note: Maximum lens thickness combined is .625"

Model Numbers relate to specific designs, refer to product photo and Dimension sections for additional details.

**Lumen/System Watts**

Size	Lumens	System Watts
1x4	2600	30
	5200	60
	7800	90
	10400	120

Other options may be available consult factory. Specifications and data subject to change without notice

**Vandal Resistant**

