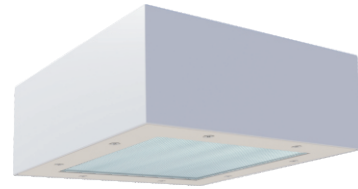


Project	
Type	
Date	
Product Code	
Approved by	

## VRIS 1X1 - Confinement

Surface Mount Luminaire  
(Cells, Corridors, Dayrooms)  
LED



3882

### Product Specifications - Application

The VRIS1X1 series by Certolux is a specification-grade LED luminaire for maximum security and vandal resistant applications. The design incorporates a concealed hinge, tamper resistant fasteners and security lenses. This maximizes impact resistance and unauthorized fixture tampering/penetration. The luminaire can be ceiling surface mounted and is available in 1x1 configurations.

### Product Specifications

#### Housing

Precision die formed 14, 16, or 18 gauge premium grade material as specified (see product ordering key) with continuously welded corners.

#### Door Frame

Single piece precision die formed with specified material (see product ordering key). Corners are seam welded. Tamper resistant TORX® Head with center pin fasteners secure door frame to housing.

#### Hinge

Full length concealed piano style hinge with .500" knuckle and .125" pin (Pin is secured to knuckle) welded to door frame and fastened to backplate.

#### Lens and Lens Retention

Multiple lens choices for both fixture side and room facing side (see product ordering key for options). Lens maximum thickness .500". The lens is secured with adjustable Z style brackets with through studs on housing faceplate.

#### Finish

The luminaire is in a powder painted white finish and offers a high reflectivity coating for improved lighting performance and efficiency.

#### Electrical

All electrical components are CSA or UL approved. Standard low-voltage dimming (0-10v, 1%).

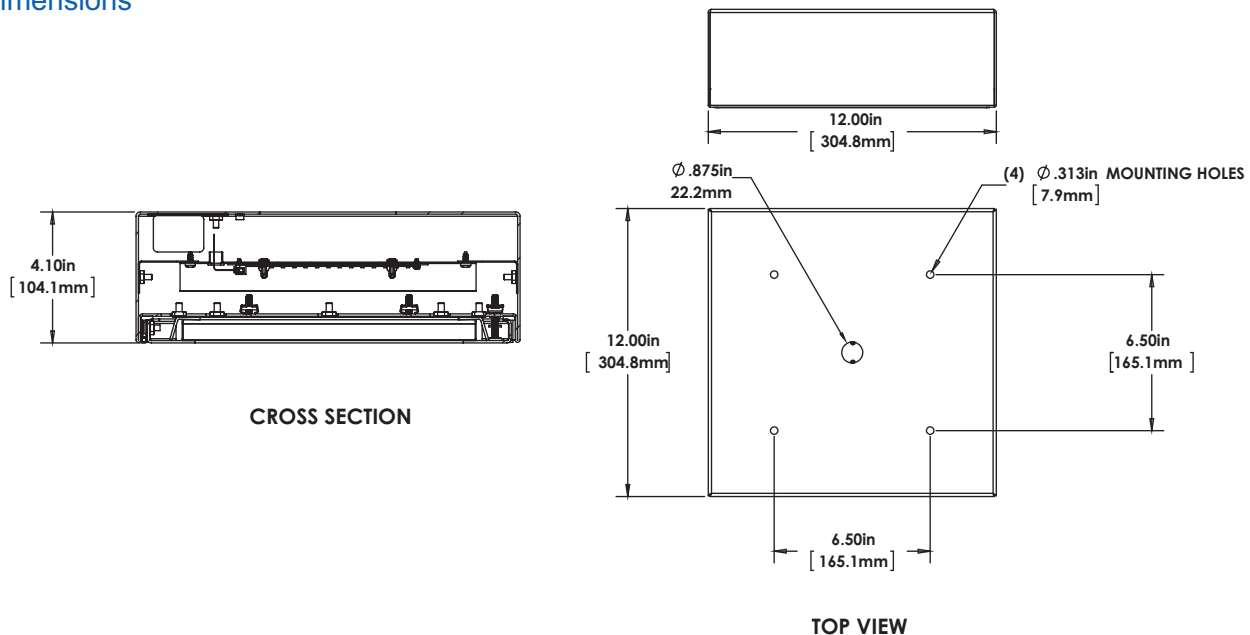
#### Approvals

Approved to CSA and UL standards.



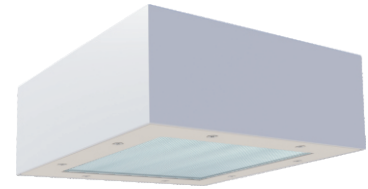
Vandal Resistant

### Dimensions



Project	
Type	
Date	
Product Code	
Approved by	

**VRIS 1X1 - Confinement**  
Surface Mount Luminaire  
(Cells, Corridors, Dayrooms)  
LED

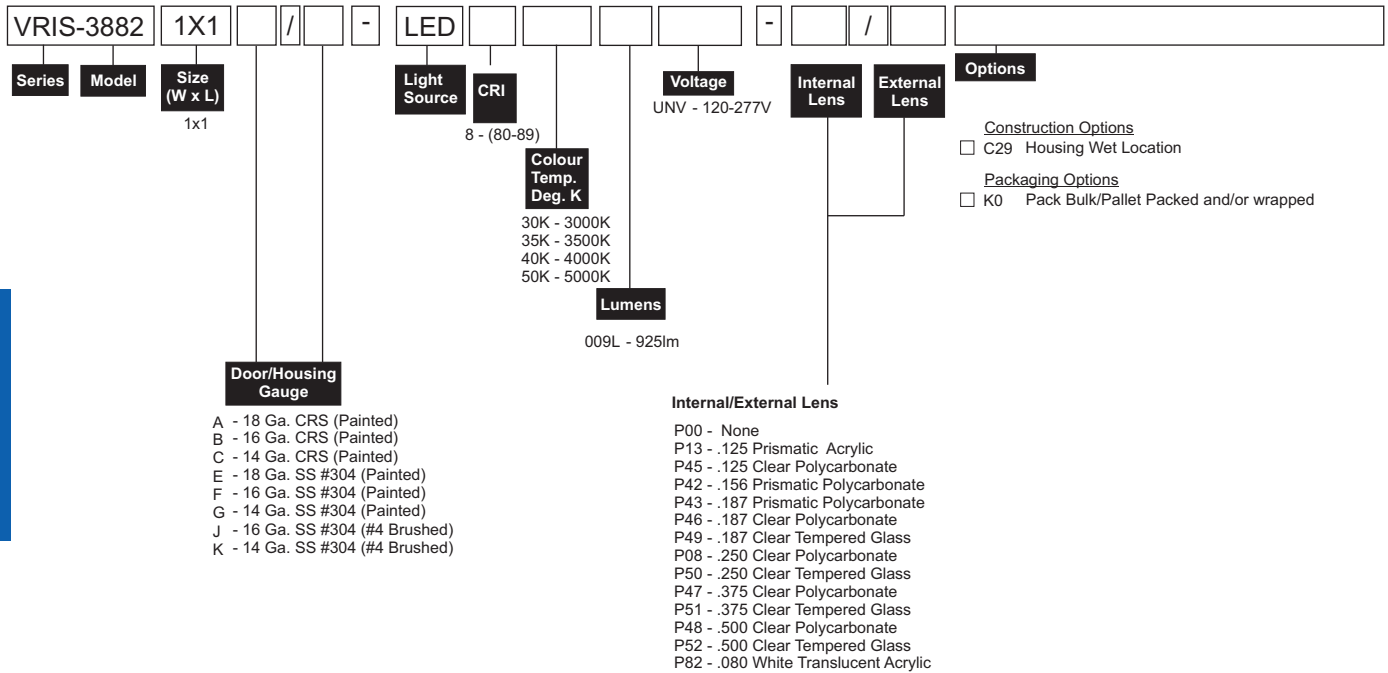


3882

**Product Specifications - Application**

The VRIS1X1 series by Certolux is a specification-grade LED luminaire for maximum security and vandal resistant applications. The design incorporates a concealed hinge, tamper resistant fasteners and security lenses. This maximizes impact resistance and unauthorized fixture tampering/penetration. The luminaire can be ceiling surface mounted and is available in 1x1 configurations.

**Ordering**



Note: Maximum lens thickness combined is .625"

Model Numbers relate to specific designs, refer to product photo and Dimension sections for additional details.

**Lumen/System Watts**

Size	Lumens	System Watts
1x1	925	9

Other options may be available consult factory. Specifications and data subject to change without notice

