

Project	
Type	
Date	
Product Code	
Approved by	

## VRC 24,48 - Confinement

Corner Mount Luminaire  
(Cells, Corridors, Dayrooms)  
LED



3496

### Product Specifications - Application

The VRC series by Certolux is a specification-grade LED luminaire for maximum security and vandal resistant applications. The hinged door design has concealed hinges, tamper resistant fasteners, and security lenses. This maximizes impact resistance, and unauthorized fixture tampering/penetration. The luminaire can be corner mounted.

### Product Specifications

#### Housing

Precision die formed 12, 14, 16, or 18 gauge cold rolled steel housing with matching gauge continuously welded end plates.

#### Backplate

Die formed 12, 14, 16, or 18 ga. CRS with embossed mounting holes and contraband trap.

#### Door Frame

Single piece precision die formed with specified material (see product ordering key). Corners are seam welded. Tamper resistant TORX® Head with center pin fasteners secure door frame to housing.

#### Hinge

Full length concealed piano style hinge with .500" knuckle and .125" pin (Pin is secured to knuckle) welded to door frame and fastened to backplate.

#### Lens and Lens Retention

Multiple lens choices for both fixture side and room facing side (see product ordering key for options). Lens maximum thickness .625". The lens is secured with adjustable V style brackets with through studs on housing faceplate.

#### Finish

The luminaire is in a powder painted white finish and offers a high reflectivity coating for improved lighting performance and efficiency.

#### Electrical

Long life LED's coupled with high efficiency drivers provide quality illumination. Rated to deliver an L80 performance >50,000 hours. Standard low-voltage dimming (0-10v, 1%). The driver has a THD of <20%. All electrical components are CSA or UL approved. A 1/2" EMT hole is provided for wiring connections.

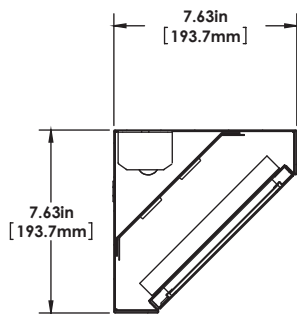
#### Approvals

Approved to CSA and UL standards.

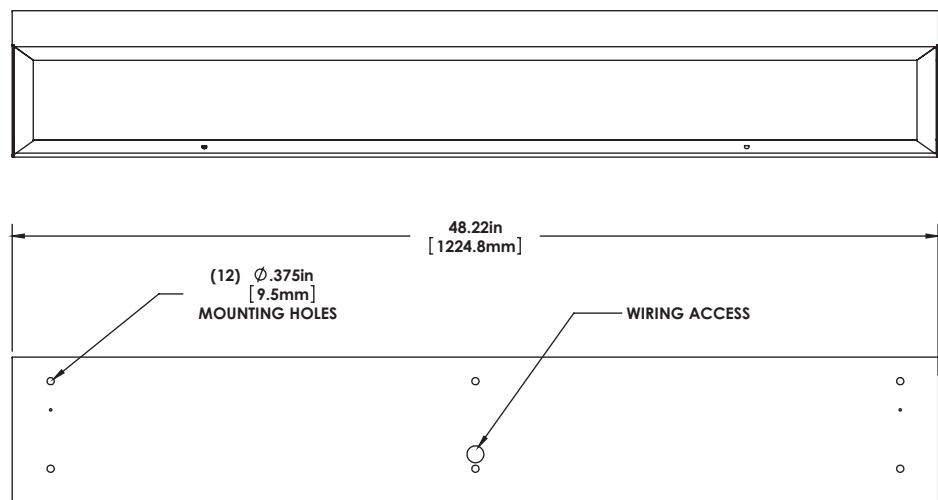


Vandal  
Resistant

### Dimensions



CROSS SECTION



TOP/REAR VIEW

Project	
Type	
Date	
Product Code	
Approved by	

## VRC 24,48 - Confinement

Corner Mount Luminaire  
(Cells, Corridors, Dayrooms)  
LED

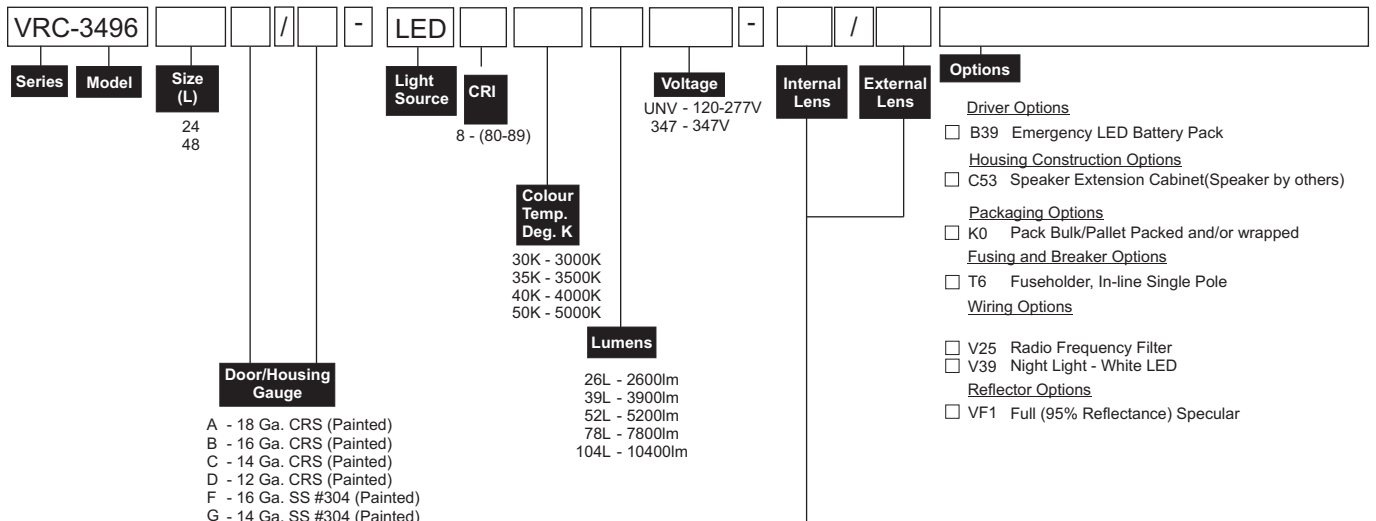


3496

### Product Specifications - Application

The VRC series by Certolux is a specification-grade LED luminaire for maximum security and vandal resistant applications. The hinged door design has concealed hinges, tamper resistant fasteners, and security lenses. This maximizes impact resistance, and unauthorized fixture tampering/penetration.. The luminaire can be corner mounted.

### Ordering



Vandal Resistant

- Door/Housing Gauge**
- A - 18 Ga. CRS (Painted)
  - B - 16 Ga. CRS (Painted)
  - C - 14 Ga. CRS (Painted)
  - D - 12 Ga. CRS (Painted)
  - F - 16 Ga. SS #304 (Painted)
  - G - 14 Ga. SS #304 (Painted)
  - J - 16 Ga. SS #304 (#4 Brushed)\*\*
  - K - 14 Ga. SS #304 (#4 Brushed)\*\*
- \*\* Not Available as Housing Material

Model Numbers relate to specific designs, refer to product photo and Dimension sections for additional details.

#### Lumen/System Watts

Size	Lumens	System Watts
24	2600	25
	3900	45
	5200	47
48	2600	25
	5200	47
	7800	75
	10400	98

- Internal/External Lens**
- P00 - None
  - P13 - .125 Prismatic Acrylic
  - P45 - .125 Clear Polycarbonate
  - P42 - .156 Prismatic Polycarbonate
  - P43 - .187 Prismatic Polycarbonate
  - P46 - .187 Clear Polycarbonate
  - P49 - .187 Clear Tempered Glass
  - P08 - .250 Clear Polycarbonate
  - P50 - .250 Clear Tempered Glass
  - P47 - .375 Clear Polycarbonate
  - P51 - .375 Clear Tempered Glass
  - P48 - .500 Clear Polycarbonate
  - P52 - .500 Clear Tempered Glass
  - P82 - .080 White Translucent Acrylic

Note: Maximum lens thickness combined is .625"

Other options may be available consult factory.  
Specifications and data subject to change without notice

