

Project	
Type	
Date	
Product Code	
Approved by	

SAFG 2X2 - Superseal Alpha Flanged - Cleanroom

Premium Recessed Grid Overlapping Door
Cleanroom Luminaire
Suitable for ISO Class 4 - 8 Cleanrooms
LED

Cleanroom

Product Specifications - Application

The SAFG series by Certolux is a specification-grade **LED**, recessed grid IP65, IP66 IC-rated luminaire, for ISO Class 4 Cleanrooms. Available in 2x2 configurations. Ideal for Pharmaceutical manufacturing, Food Processing, Life Sciences and laboratories. NSF/ANSI 2 Food Zone Non-contact and Splash Zone Applications. For use in insulated ceilings, wet locations, Hazardous Locations, consult ordering key.



3755

Product Specifications

Housing

Precision formed, TIG welded, one piece 18 gauge cold rolled steel housing.

Mounting

Earthquake clips provided.

Lens and Lens Retention

The standard lens assembly is made with a tempered safety glass sealed to the lens frame with a non-silicone sealant together with an overlay of a pattern #12 acrylic lens, mechanically secured.

Finish

The luminaire is in a polyester powder painted white finish.

Door Frame

One piece 60° beveled perimeter door frame, fabricated from 18 gauge, cold rolled steel with TIG welded corners. The door assembly is self centering by means of locating studs. It is retained by stainless steel aircraft cable when opened. Specialized, military grade, flat head, stainless steel, captive fasteners with integral silicone o-rings easily secure door frame to housing through use of floating cage nuts. Silicone o-rings offer superior performance and longer life over comparable teflon bushings. Protective stops prevent the fasteners from being over-tightened and bending the lens door frame. Custom shaped, extruded closed cell silicone gasketing is used throughout to ensure precise, redundant seals between door assembly, housing and plenum. Vulcanized corners ensure continuity of the seal on the frame gasket. Continuous retention-mounts mechanically secure and evenly distribute force against both gasketing and diffuser.

Approvals

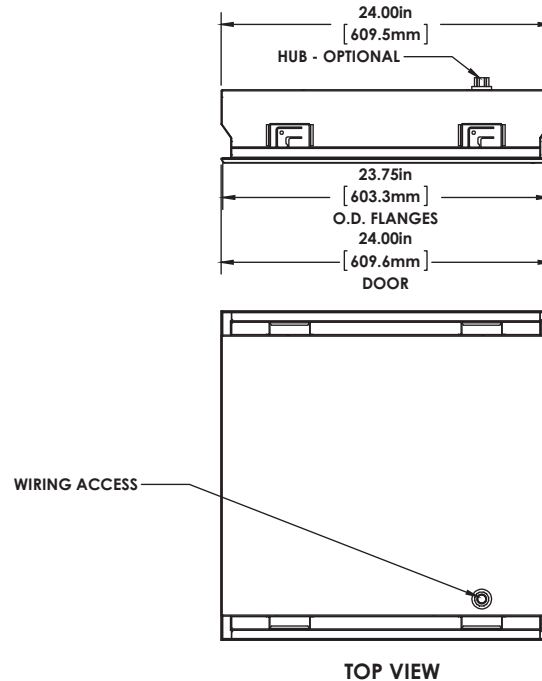
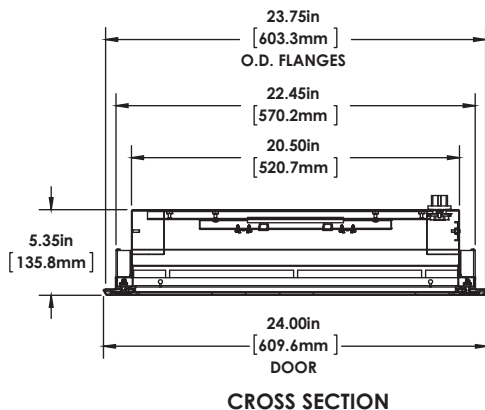
Approved to CSA and UL standards. UL listed for insulated ceilings, wet locations. For use in Hazardous Locations Class I Zone 2, Zone 22. Consult ordering key for HazLoc options and Temperature Codes.



Electrical

Long life LED's coupled with high efficiency drivers provide quality illumination. Rated to deliver an L80 performance >50,000 hours. The standard driver has a THD of <20%. Standard low-voltage dimming (0-10v, 1%). All electrical components are CSA or UL approved.

Dimensions



Dimension Note:

Do not refer to series dimensions for installation purposes. Refer to installation instruction sheet.

Project	
Type	
Date	
Product Code	
Approved by	

SAFG 2X2 - Superseal Alpha Flanged - Cleanroom

Premium Recessed Grid Overlapping Door
Cleanroom Luminaire
Suitable for ISO Class 4 - 8 Cleanrooms
LED

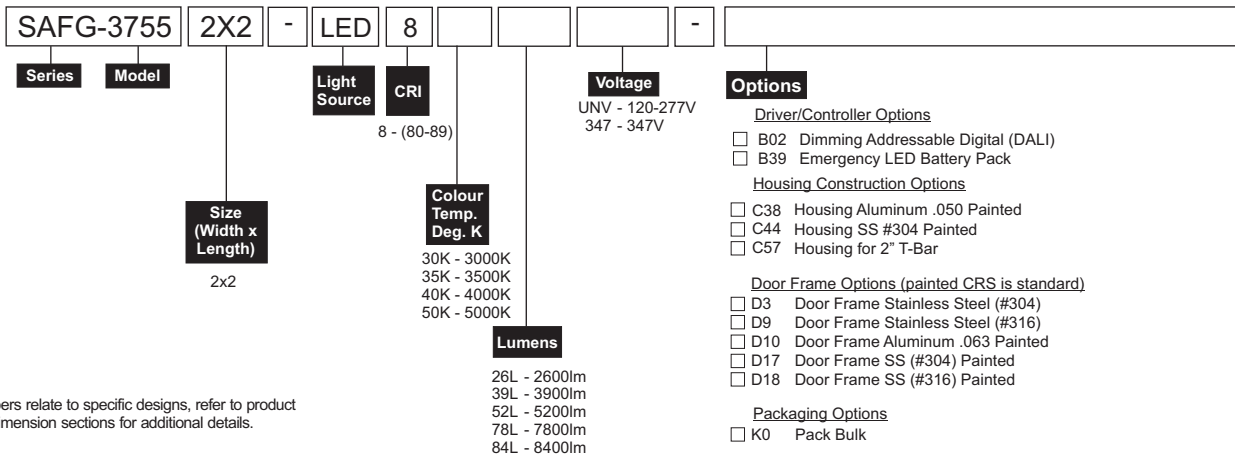
Product Specifications - Application

The SAFG series by Certolux is a specification-grade **LED**, recessed grid IP65, IP66 IC-rated luminaire, for ISO Class 4 Cleanrooms. Available in 2x2 configurations. Ideal for Pharmaceutical manufacturing, Food Processing, Life Sciences and laboratories. NSF/ANSI 2 Food Zone Non-contact and Splash Zone Applications. For use in insulated ceilings, wet locations, Hazardous Locations, consult ordering key.



3755

Ordering



Model Numbers relate to specific designs, refer to product photo and Dimension sections for additional details.

Lumen/System Watts

Size	Lumens	System Watts	Temp. Codes (XH only)
2x2	2600	25	T3C
	3500	33	
	3900	36	
	5200	47	
	7800	75	
	8400	80	

Red LED Array - Lumen/System Watts

Size	Rows of LED	Lumens	System Watts
2x2	1	1020	27
	2	2045	54

Other options may be available consult factory. Specifications and data subject to change without notice

* Occupancy/Motion Sensors and 1% dimming are not available with Hazardous Location luminaires

