



VISCOR INC

Viscor Inc
35 Oak Street
Toronto, ON Canada M9N 1A1 Tel: 416.245.7991
www.viscor.com Fax: 416.245.4778

Title: **KIT00079**

ERP# IIS00157

Date: JANUARY 2016

WARNINGS

Electric shock:

- Disconnect or turn off power before installing or servicing luminaire.
- All electrical wiring to be completed by a qualified licensed electrician in accordance with local and National/Canadian Electrical Code.
- Ensure supply voltage corresponds with the correct ballast/driver voltage.
- Avoid exposing wiring to metal edges and sharp objects.
- Ensure that the luminaire is properly grounded to prevent electric hazards.

Fire:

- Keep flammable and combustible materials away from the light source and/or lens.
- Use correctly rated supply conductors as indicated by product labeling.

Burn:

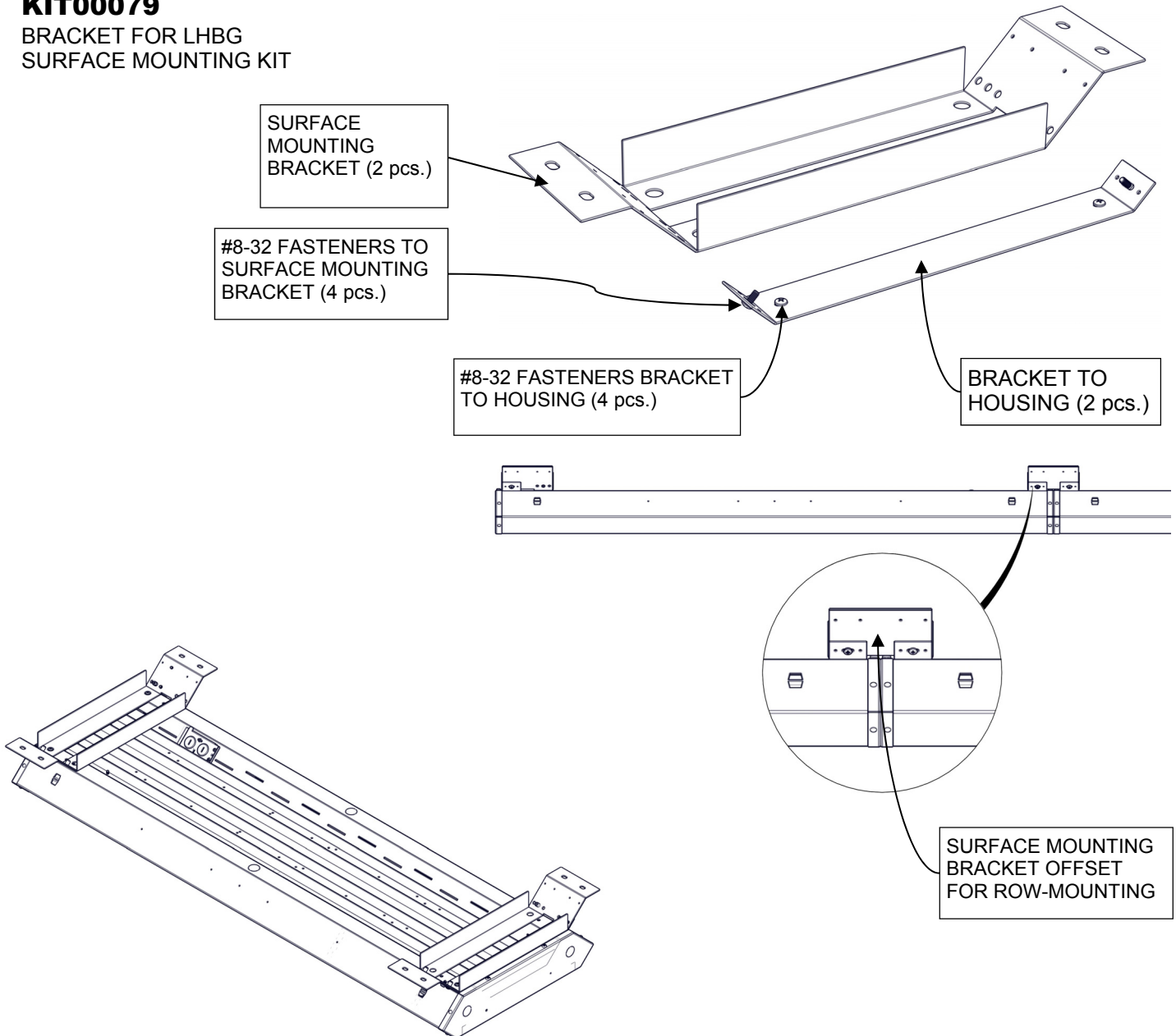
- Allow luminaire to cool before handling luminaire.

Personal Injury:

- Wear safety glasses and gloves when handling the luminaire to avoid physical injury.
- Avoid direct eye contact with light source.
- Always support the weight of the luminaire.

KIT00079

BRACKET FOR LHBG
SURFACE MOUNTING KIT



The Viscor Group

