



VISCOR INC

Viscor Inc
35 Oak Street
Toronto, ON Canada M9N 1A1
www.viscor.com
Tel: 416.245.7991
Fax: 416.245.4778

Title: **KIT00044**

ERP# IIS00107

Date: MAY 2015

WARNINGS

Electric shock:

- Disconnect or turn off power before installing or servicing luminaire.
- All electrical wiring to be completed by a qualified licensed electrician in accordance with local and National/Canadian Electrical Code.
- Ensure supply voltage corresponds with the correct ballast/driver voltage.
- Avoid exposing wiring to metal edges and sharp objects.
- Ensure that the luminaire is properly grounded to prevent electric hazards.

Fire:

- Keep flammable and combustible materials away from the light source and/or lens.
- Use correctly rated supply conductors as indicated by product labeling.

Burn:

- Allow luminaire to cool before handling luminaire.

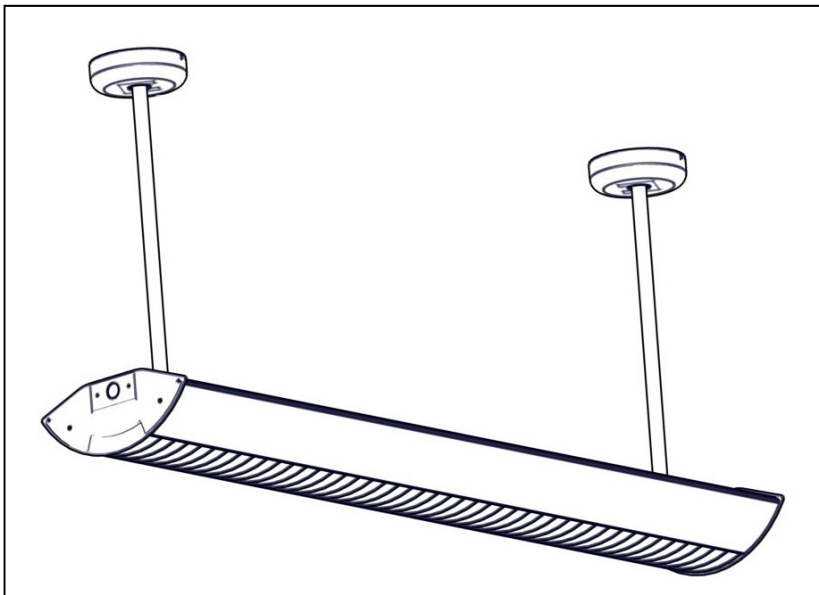
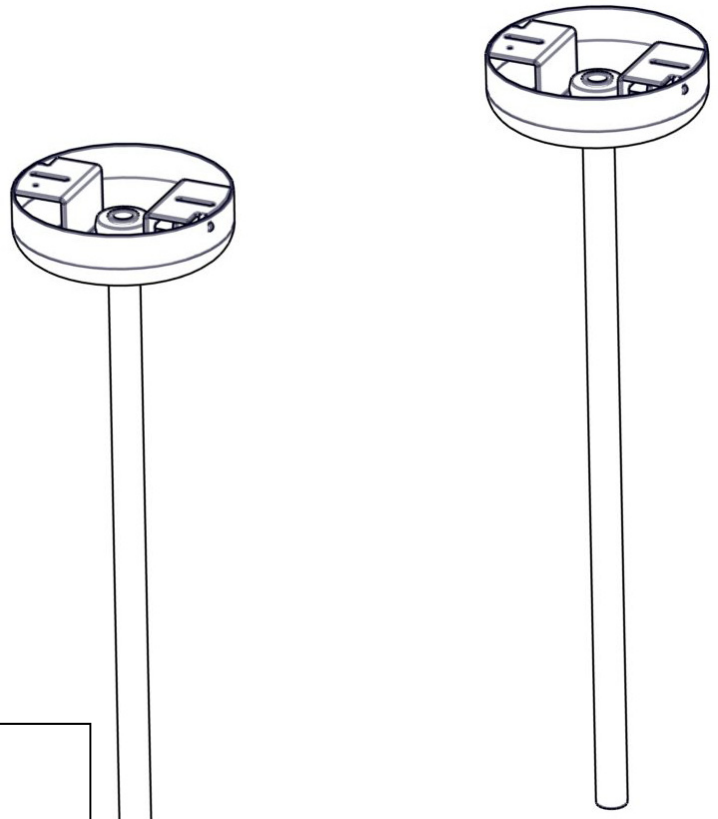
Personal Injury:

- Wear safety glasses and gloves when handling the luminaire to avoid physical injury.
- Avoid direct eye contact with light source.
- Always support the weight of the luminaire.

KIT00044

MOUNTING AND SWIVEL CANOPY SET
FOR SLOPED CEILING (SET OF 2). M29

PENDANT LENGTH	KIT PART NUMBER
36"	KIT00044



The Viscor Group



VISIONEERING™



CERTOLUX™



ARCHITECTURAL™
LIGHTING

CANFLEX™

