

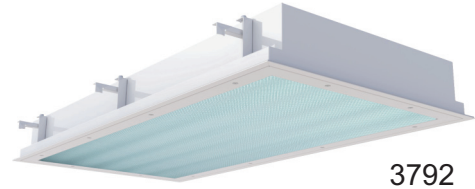
Project	
Type	
Date	
Product Code	
Approved by	

## MD1IF 2x4 - Medical Surgical Symmetric/Asymmetric

Recessed Luminaire With Inset Door Flange  
Medical Surgical Luminaire  
LED

### Product Specifications - Application

The MD1-3792 series by Certolux is an IC-rated specification-grade, sealed surgical/operating room luminaire. The symmetric/asymmetric lens allows for precise optical control and is available in 2x4 configurations. For use in insulated ceilings.



3792

Medical Facility

### Product Specifications

#### Housing

Precision formed, 18 gauge cold rolled steel. Wiring access plate or knockouts are provided on back of housing, for flexible conduit attachment.

#### Mounting

Flange Mount - Unit is mounted via swing arms

#### LED

LED board arrays offered in various colour temperatures and lumen packages. Optional Green LED arrays available with standard 2000 lumens/2ft (1 or 2 rows max). Green LED arrays operated by separate driver(s).

#### Door Frame

18 ga. CRS doorframe is secured to housing with stainless steel aircraft cables and captive, flush-mounted Phillips-head fasteners.

#### Lens

The symmetric/asymmetric acrylic lens is complete with an RFI 3/8" square metalized grid and is grounded to the housing and is complete with a .125" thick clear acrylic underlay. Other lens options available. (See Ordering Key)

#### Finish

The luminaire is a powder painted white finish and offers a high reflectivity coating for improved lighting performance and efficiency. Anti-microbial finish is also available.

#### Electrical

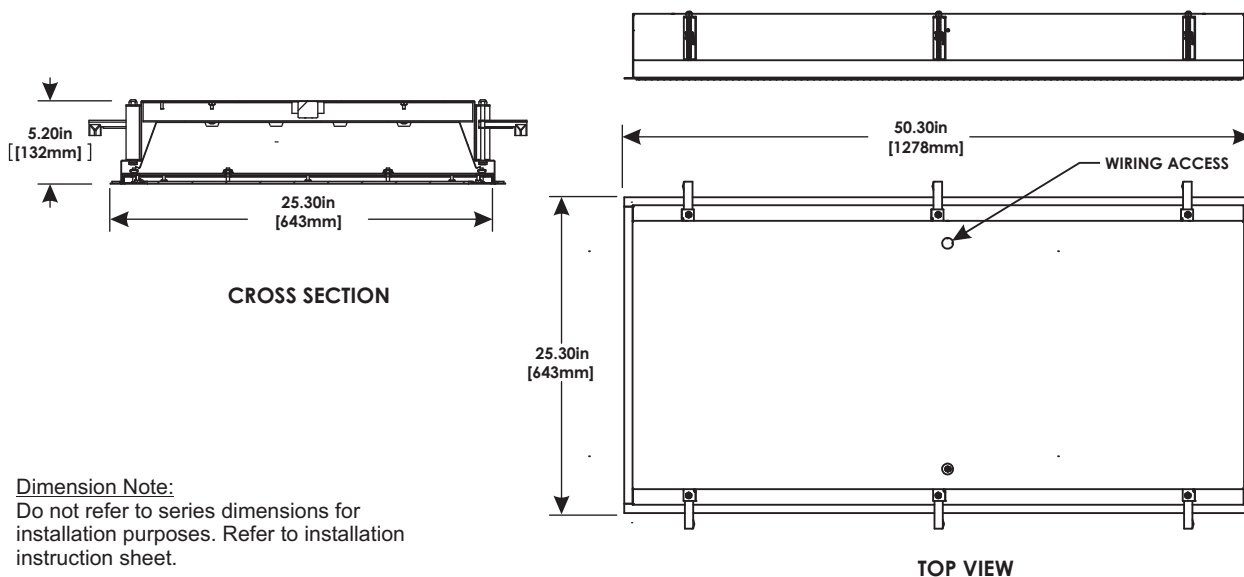
All electrical components are CSA or UL approved. Lamp holders provided ensure positive lamp retention. The standard driver has a THD of <20%. Standard low-voltage dimming (0-10v, 1%). Luminaires are provided with an access plate, to facilitate wiring to external power source.

#### Approvals

Approved to CSA and UL standards. UL listed for insulated ceilings. MIL STD 461F available upon request (see options).



### Dimensions



**Dimension Note:**  
Do not refer to series dimensions for installation purposes. Refer to installation instruction sheet.

