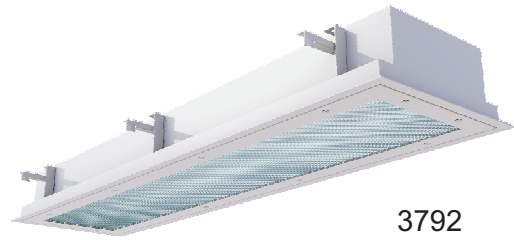


Project	
Type	
Date	
Product Code	
Approved by	

MD1IF 1x4 - Medical Surgical Symmetric/Asymmetric

Recessed Luminaire With Inset Door Flanged
Medical Surgical Luminaire
LED



3792

Medical Facility

Product Specifications - Application

The MD1 series by Certolux is an IC-rated specification-grade, sealed surgical/operating room luminaire. The symmetric/asymmetric lens allows for precise optical control and is available in 1x4 configurations. For use in insulated ceilings.

Product Specifications

Housing

Precision formed, 18 gauge cold rolled steel. Wiring access plate or knockouts are provided on back of housing, for flexible conduit attachment.

Mounting

The housing is supported by swing style mounting brackets.

LED

LED board arrays offered in various colour temperatures and lumen packages.

Door Frame

The hinged door frame is precision formed of 18 gauge cold rolled steel and has Philips head stainless steel screws on one side.

Lens

The symmetric/asymmetric acrylic lens is complete with an RFI 3/8" square metalized grid and is grounded to the housing (Option P64). Other lens options available. (See Ordering Key)

Finish

The luminaire is a powder painted white finish and offers a high reflectivity coating for improved lighting performance and efficiency. Anti-microbial finish is also available.

Electrical

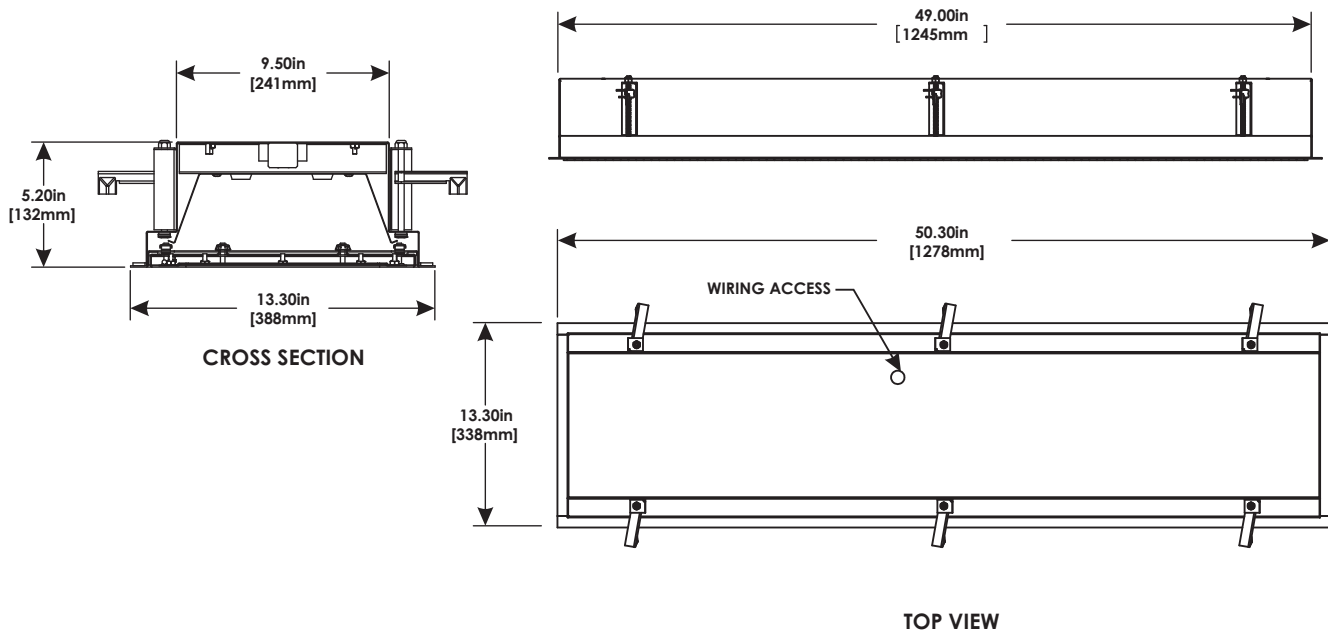
All electrical components are CSA or UL approved. Lamp holders provided ensure positive lamp retention. The standard driver has a THD of <20%. Standard low-voltage dimming (0-10v, 1%). Luminaires are provided with an access plate, to facilitate wiring to external power source.

Approvals

Approved to CSA and UL standards. UL listed for insulated ceilings. MIL STD 461F available upon request (see options).

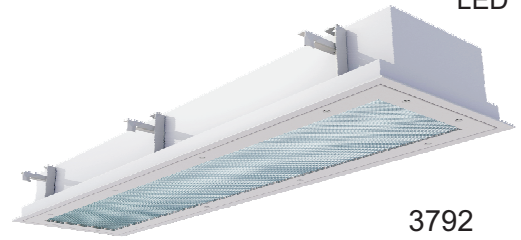


Dimensions



Project	
Type	
Date	
Product Code	
Approved by	

MD1IF 1x4 - Medical Surgical Symmetric/Asymmetric Recessed Luminaire With Inset Door Flanged Medical Surgical Luminaire LED



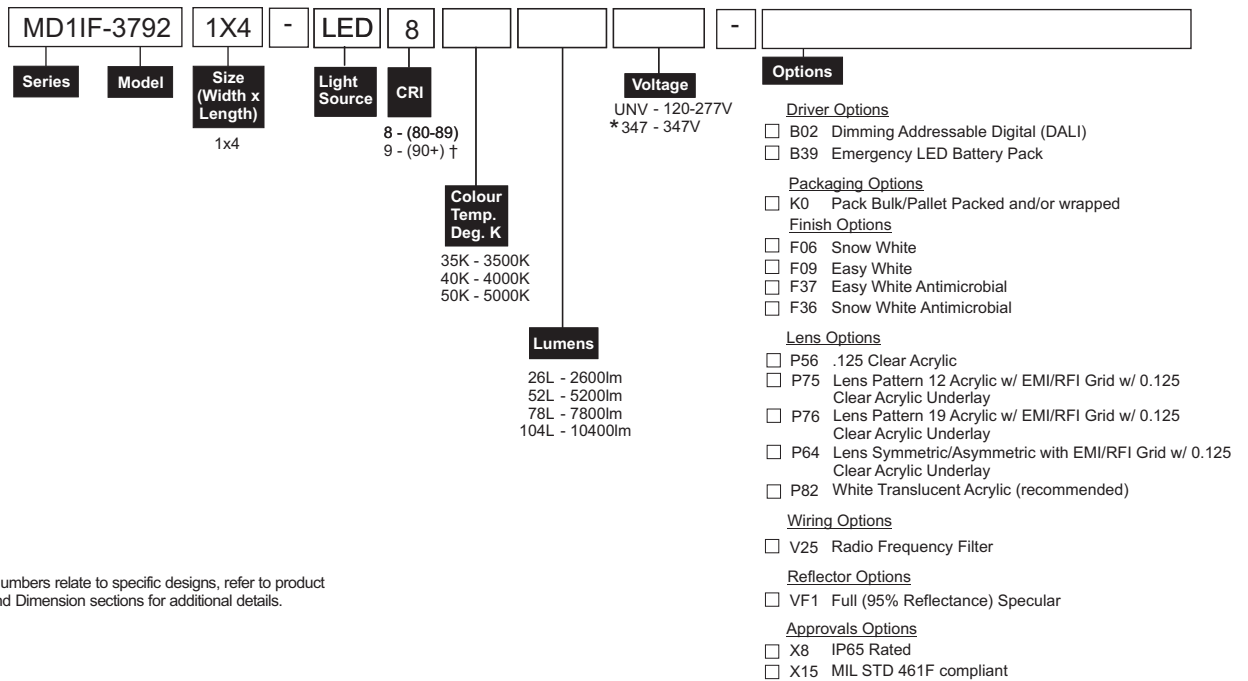
3792

Product Specifications - Application

The MD1 series by Certolux is an IC-rated specification-grade, sealed surgical/operating room luminaire. The symmetric/asymmetric lens allows for precise optical control and is available in 1x4 configurations. For use in insulated ceilings.

Medical Facility

Ordering



Model Numbers relate to specific designs, refer to product photo and Dimension sections for additional details.

Lumen/System Watts

Size	Lumens [†]	System Watts
1x4	2600	25
	5200	47
	7800	75
	10400	98

Specifications and data subject to change without notice

*Other options may be available consult factory.

**V25 option required. Not available with P56 option.

† 90+ CRI reduces lumen output by 20%, not available with 5000K

