

Project
Type
Date
Cat #

Application Features

Premium-grade, surface-mounted, ceiling luminaire featuring one angled center lens. For use with indoor applications where aesthetics, quality and standard 0-10v dimming is required. Features hinged and latched door frame with integral lens and optics..



Specifications

Optical System

Angled white translucent acrylic diffuser for increased visual comfort and architectural appeal.

Mounting

Holes provided for chain-mounting support to building structure. Offset mounting pads, which keep luminaire level and slightly off of mounting surface, are formed within the housing. Optional aircraft cable assemblies and canopy sets are available.

Construction

CNC brake-formed, code gauge steel housing and ends. Precision-formed steel reflector. Diffuser is held within a hinged door frame. The heavy-gauge door frame hinges downward on either side, and is held in the closed position by two positive cam latches.

Finish

White polyester powder painted surfaces standard. Consult rep for other finishes.

Electrical

Long life LEDs coupled with high efficiency drivers provide quality illumination. Rated to deliver L80 performance > 50,000 hours at 105 lumens/watt.

Approvals

Approved to CSA and UL standards. Suitable for damp locations. DesignLights Consortium® Qualified.

All configurations may not be DLC qualified. Check www.designlights.org/QPL for qualified configurations



Warranty

5 year limited warranty. For complete warranty terms visit: http://viscor.com/assets/Viscor_LED_Warranty.pdf

Features

- Enhanced, uniform lighting delivers a balanced amount of light to walls, cubicles, work surfaces and people
- Clean appearance - no exposed fasteners
- Shallow design
- Mitred corners
- Extruded acrylic diffuser
- 80+ CRI
- Standard low voltage dimming (0-10V)
- Available in 1x4, 2x2 and 2x4 configurations

Options & Adders

- Emergency Lighting Battery Pack
- Step Dimming
- Occupancy Sensor

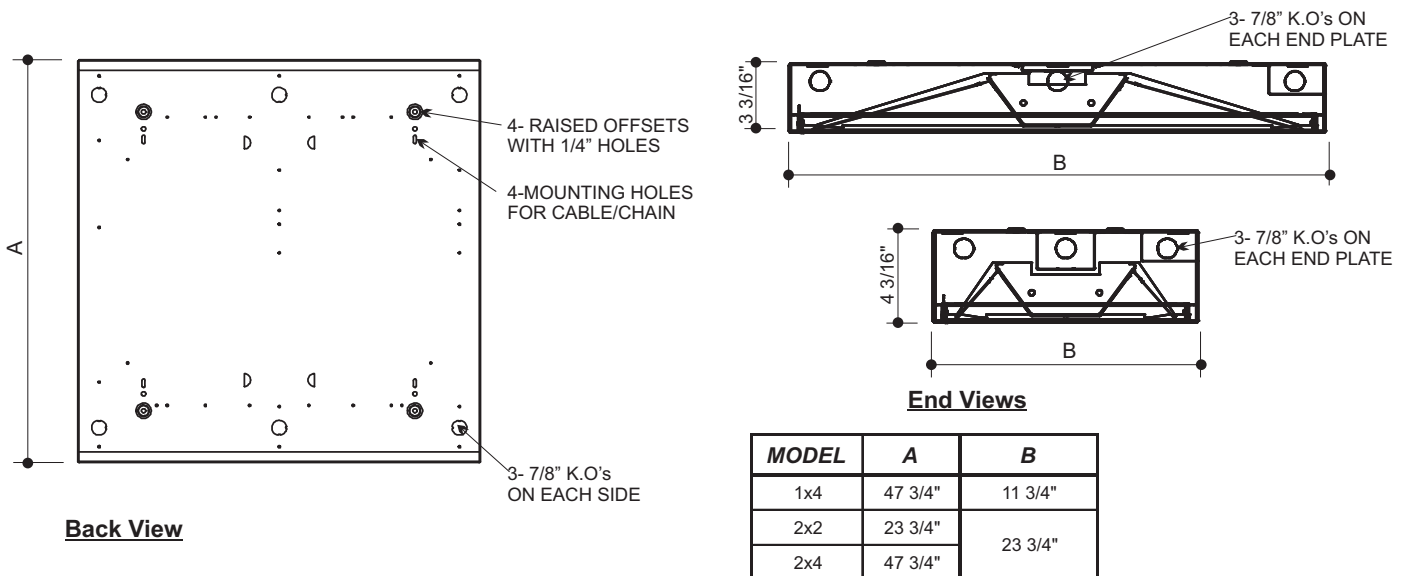
Applications

- Office Areas
- Retail Stores
- Schools
- Corridors
- Hospitals

LED

ARCHITECTURAL LIGHTING

Dimensions



Project
Type
Date
Cat #

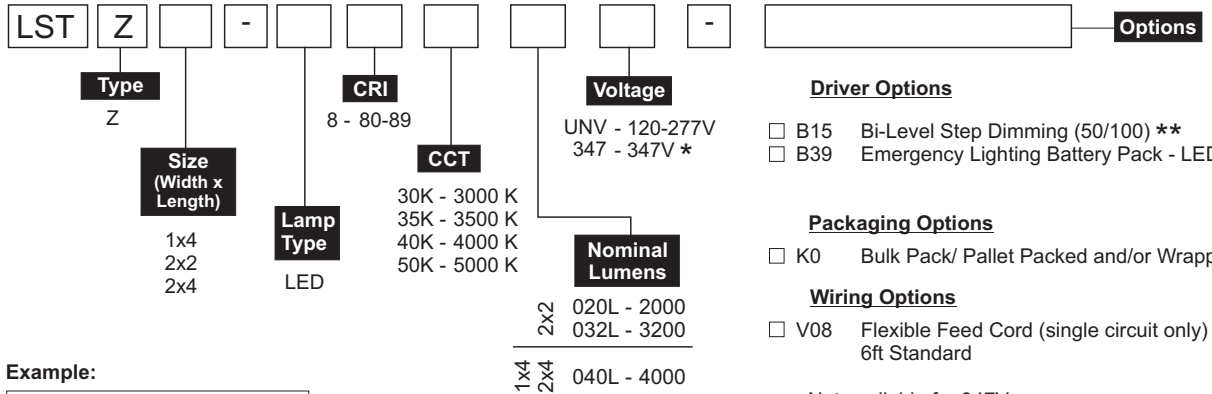
LSTZ LED Surface Dish Lensed

Premium-Grade Surface-Mounted Ceiling Luminaire



Photometrics - Please consult www.viscor.com for photometric results.

Ordering



Example:

LSTZ2x2- LED840K032LUNV

Other options may be available consult factory.
Specifications and data subject to change without notice.

* Consult factory for availability.

Mounting Accessories (Ordered Separately)

- KIT00001 MOUNTING CHAIN SET (2) 4FT W/ S-HOOKS.M10
- KIT00022 MOUNTING CHAIN SET (2) 3FT W/ S-HOOKS.M10
- KIT00040 MOUNTING CHAIN SET (2) 6FT W/ S-HOOKS.M10
- KIT00042 MOUNTING CHAIN SET (2) 12FT W/ S-HOOKS.M10
- KIT00004 AIRCRAFT "Y" CABLE (10FT) WITH ADJUSTABLE GRIP (2).M36
- KIT00018 S-HOOKS ONLY (SET OF 4) FOR C/S CHAIN.M45

Size	Nominal Lumens	Watts
1x4	040L	34
2x2	020L	19
2x2	032L	28
2x4	040L	33

LED
ARCHITECTURAL LIGHTING