



Project
Type
Date
Cat #

Application Features

Premium-grade, surface-mounted, ceiling luminaire featuring two semi-round lenses. For use with indoor applications where aesthetics, quality and standard 0-10v dimming is required. Features hinged and latched door frame with integral lenses and optics.

Specifications

Optical System

Smooth extruded linear prismatic diffusers offer high levels of efficiency and visual comfort. Indirect reflectors are precision formed and contoured to provide soft, low glare indirect illumination while maintaining high efficiency and a wide uniform lighting distribution.

Mounting

Holes provided for chain-mounting support to building structure. Offset mounting pads, which keep luminaire level and slightly off of mounting surface, are formed within the housing. Optional aircraft cable assemblies and canopy sets are available.

Construction

CNC brake-formed, code gauge steel housing and ends. Precision-formed steel reflector. Diffuser is held within a hinged door frame. The heavy-gauge door frame hinges downward on either side, and is held in the closed position by two positive cam latches.

Finish

White polyester powder painted surfaces standard. Consult rep for other finishes.

Electrical

Long life LEDs coupled with high efficiency drivers provide quality illumination. Rated to deliver L80 > 50,000 hours.

Approvals

Approved to CSA and UL standards. Suitable for damp locations. DesignLights Consortium® Qualified.

All configurations may not be DLC qualified. Check www.designlights.org/QPL for qualified configurations



Warranty

5 year limited warranty. For complete warranty terms visit: http://viscor.com/assets/Viscor_LED_Warranty.pdf

Features

- Enhanced, uniform lighting delivers a balanced amount of light to walls, cubicles, work surfaces and people
- Clean appearance - no exposed fasteners
- Shallow design
- Mitred corners
- Extruded acrylic diffuser
- 80+ CRI
- Standard low voltage dimming (0-10V, 1%)
- Available in 2x2 and 2x4 configurations

Options & Adders

- Emergency Lighting Battery Pack
- Step Dimming

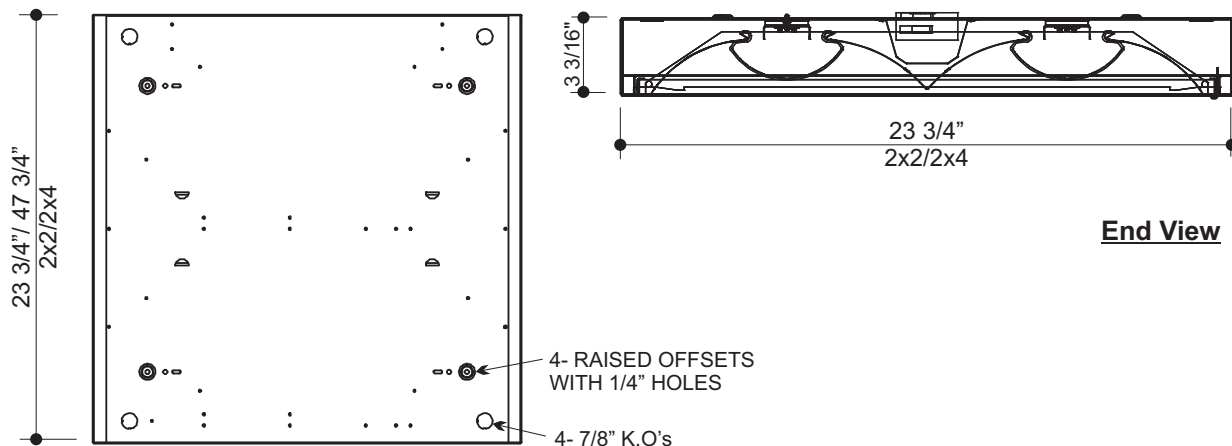
Applications

- Office Areas
- Retail Stores
- Schools
- Corridors
- Hospitals

LED

ARCHITECTURAL LIGHTING

Dimensions



Project
Type
Date
Cat #

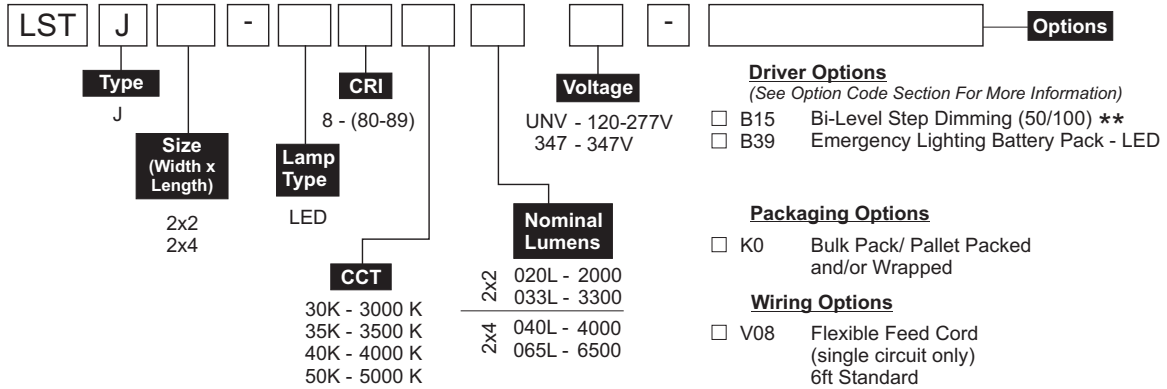
LSTJ LED Surface Type J

Premium-Grade Surface-Mounted Ceiling Luminaire



Photometrics - Please consult www.viscor.com for photometric results.

Ordering



Example:

LSTJ2x2-LED840K033LUNV

* Other options may be available consult factory.
Specifications and data subject to change without notice.

Mounting Accessories (Ordered Separately)

- KIT00001 MOUNTING CHAIN SET (2) 4FT W/ S-HOOKS.M10
- KIT00022 MOUNTING CHAIN SET (2) 3FT W/ S-HOOKS.M10
- KIT00040 MOUNTING CHAIN SET (2) 6FT W/ S-HOOKS.M10
- KIT00042 MOUNTING CHAIN SET (2) 12FT W/ S-HOOKS.M10
- KIT00004 AIRCRAFT "Y" CABLE (10FT) WITH ADJUSTABLE GRIP (2).M36
- KIT00018 S-HOOKS ONLY (SET OF 4) FOR C/S CHAIN.M45

** Not available for 347V

Size	Nominal Lumens	Watts
2x2	020L	18
	033L	28
2x4	040L	35
	065L	52

LED
ARCHITECTURAL LIGHTING