

Project
Type
Date
Cat #

Application Features

Commercial-grade, recessed, lay-in T-Bar troffer featuring a wide curved lens for even light distribution. This fixture offers a modern architectural styling with a high visual comfort. For use with indoor applications where low-glare, high-quality and ease of installation are required. This IC-rated luminaire's low-profile design is ideal for shallow or obstructed plenum applications.



Specifications

Optical System

Curved frosted polycarbonate diffuser, offers high levels of efficiency and visual comfort. Indirect reflectors are precision formed and contoured to provide soft, low-glare, indirect illumination, while maintaining high-efficiency and a wide, uniform light distribution.

Mounting

This luminaire has been specifically designed for T-Bar applications. Integral earthquake clips for additional support.

Construction

Die-formed, code gauge steel housing. Precision-formed steel reflector.

Finish

White polyester powder painted surfaces.

Electrical

Long life LEDs coupled with high efficiency drivers, provide quality illumination. Rated to deliver L80 performance > 50,000 hours.

Approvals

Approved to CSA/UL standards. UL listed for insulated ceilings.

Tested in accordance to IESNA LM-79.

Suitable for damp locations.

DesignLights Consortium® Qualified.

All configurations may not be DLC qualified.

Check www.designlights.org/QPL for qualified configurations.

Warranty

5 year limited warranty. For complete warranty terms visit:

http://viscor.com/assets/Viscor_LED_Warranty.pdf



Features

- Enhanced, uniform lighting delivers a balanced amount of light to walls, cubicles, work surfaces and people
- Diffuser is pressure-fitted into place to create a clean looking, easy maintenance lens
- Standard low voltage dimming (0-10v)
- Available in 2x2 and 2x4 configurations
- For use in insulated ceilings

Options & Adders

- Emergency battery pack
- Flexible metal whip - 6 foot x 3/18 gauge conductors

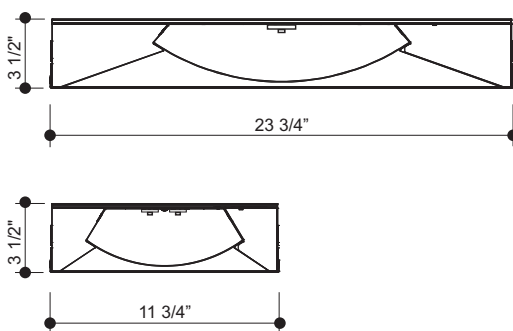
Applications

- Office Areas
- Retail Stores
- Classrooms
- Corridors
- Hospitals
- Nursing Homes

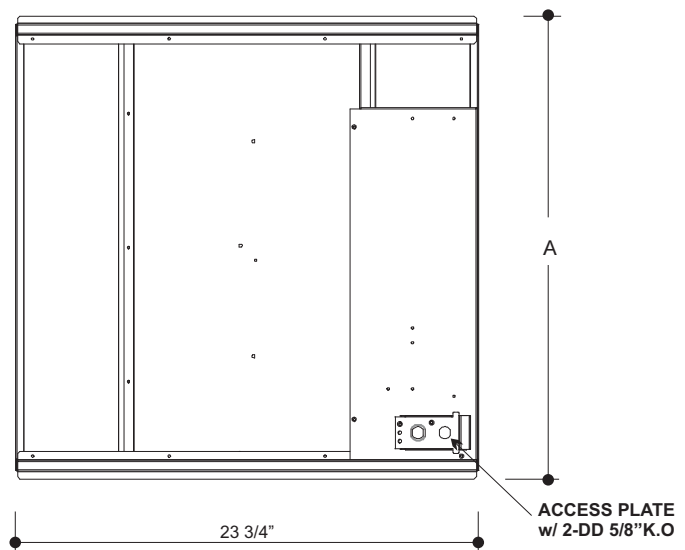
LED

ARCHITECTURAL LIGHTING

Dimensions



MODEL	NOMINAL LENGTH	A
1x4	48"	47 3/4"
2x2	24"	23 3/4"
2x4	48"	47 3/4"



Project
Type
Date
Cat #

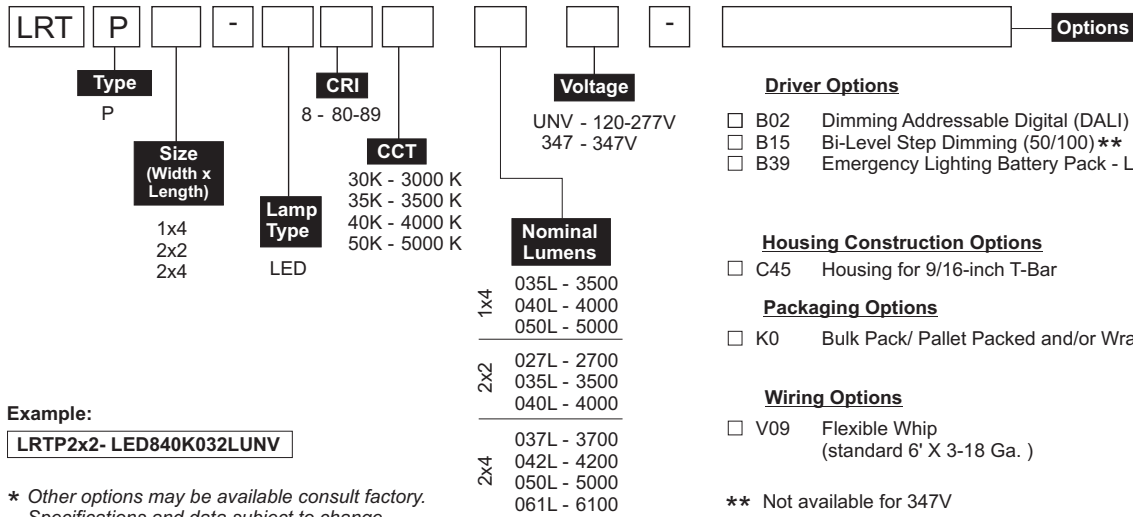
L RTP LED Recessed Type P

Commercial-Grade Recessed T-Bar Luminaire



Photometrics - Please consult www.viscor.com for photometric results.

Ordering



Example:

L RTP2x2- LED840K032LUNV

* Other options may be available consult factory. Specifications and data subject to change without notice.

Size	Nominal Lumens	Watts	Lm/W
1x4	3500	30	122
	4000	34	121
	5000	44	115
2x2	2700	22	125
	3500	30	118
	4000	35	116
2x4	3700	30	128
	4200	34	126
	5000	44	120
	6100	49	127

LED

ARCHITECTURAL LIGHTING