

Project
Type
Date
Cat #

Application Features

Premium-grade, recessed, lay-in direct/indirect coffered T-Bar troffer with modern styling and high visual comfort featuring a center basket. For use in indoor applications where low-glare, high-quality and ease of installation and maintenance are required. This IC-rated luminaire's basket-shaped, perforated metal shield provides both direct and indirect light distribution for primary and ambient lighting which makes it ideal for most office environments and corridors.



Specifications

Optical System

Shields are perforated for direct and indirect illumination and contain a opal white acrylic overlay diffuser for visual comfort. Indirect reflectors are precision formed and contoured to provide soft, low-glare indirect illumination while maintaining high-efficiency and a wide uniform light distribution.

Mounting

This fixture has been specifically designed for T-Bar applications. Holes provided for chain mounting support to building structure. Integral earthquake clips.

Construction

Die-formed and riveted, heavy-gauge steel housing assembly. Precision formed, steel reflector. Die-formed, perforated cold rolled steel shielding. Wiring access plate is provided on back of housing.

Finish

White polyester powder painted visible surfaces.

Electrical

Long life LEDs coupled with high efficiency drivers provide quality illumination. Rated to deliver L80 performance > 50,000 hours.

Approvals

Approved to CSA/UL standards.
Suitable for damp locations.
UL listed for insulated ceilings.



Warranty

5 year limited warranty. For complete warranty terms visit:
http://viscor.com/assets/Viscor_LED_Warranty.pdf

Features

- Enhanced, uniform lighting delivers a balanced amount of light to walls, cubicles, work surfaces and people
- Standard low voltage dimming (0-10v, 1%)
- 80+ CRI
- Available in 1x4, 2x2 and 2x4 configurations
- For use in insulated ceilings

Options & Adders

- Emergency battery pack
- Baffle integrated metal crossblade
- Drywall flange kits available
- Flexible metal whip - 6 foot x 3/18 gauge conductors
- Air handling

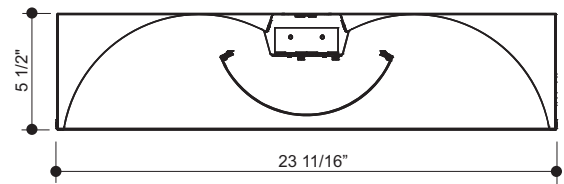
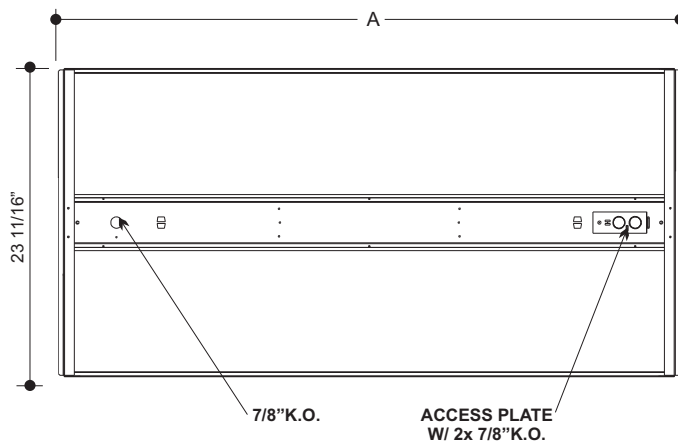
Applications

- Office Areas
- Retail Stores
- Classrooms
- Corridors

LED

ARCHITECTURAL LIGHTING

Dimensions



MODEL	NOMINAL LENGTH	A
1x4	48"	47 3/4"
2x2	24"	23 3/4"
2x4	48"	47 3/4"

Project
Type
Date
Cat #

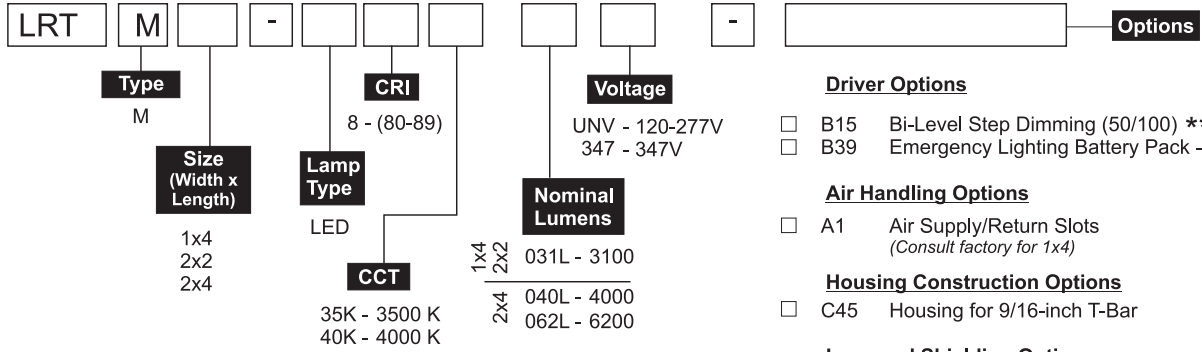
LRTM LED Recessed Type M

Premium-Grade Recessed Direct/Indirect Center Basket
T-Bar Luminaire



Photometrics - Please consult www.viscor.com for photometric results.

Ordering



Example:

LRTM2x2- LED840K031LUNV

* Other options may be available consult factory.
Specifications and data subject to change without notice.

Note: For recessed drywall applications,
use either a 1x4 2x2 or 2x4 flange kit.

Size	Nominal Lumens	Watts
1x4	031L	39
2x2	031L	39
2x4	040L	46
	062L	72

- Driver Options**
 - B15 Bi-Level Step Dimming (50/100) **
 - B39 Emergency Lighting Battery Pack - LED
 - Air Handling Options**
 - A1 Air Supply/Return Slots
(Consult factory for 1x4)
 - Housing Construction Options**
 - C45 Housing for 9/16-inch T-Bar
 - Lens and Shielding Options**
 - L01 Basket Integrated Metal Crossblade
 - Packaging Options**
 - K0 Bulk Pack/ Pallet Packed and
or Wrapped
 - Wiring Options**
 - V09 Flexible Whip
(standard 6' X 3-18 Ga.)
- ** Not available for 347V