



Project
Type
Date
Cat #

Application Features

Premium-grade, surface-mounted wrap-around ceiling luminaire. For use with indoor applications where low-cost, but commercial-grade ruggedness and compact design is required.

Specifications

Optical System

Standard diffuser is clear acrylic with prismatic bottom and ribbed linear sides designed for even and low-glare illumination.

Mounting

Knock-outs are provided for stem-mounting. Mounts over electrical junction box. Mounting holes are provided within offset to prevent distortion of housing when tightening mounting fasteners. Offset mounting pads which keep luminaire level and slightly off of the mounting surface are formed within the housing.

Construction

Die-formed, code gauge pre-painted, high-reflectance white steel housing. Driver cover snaps into place eliminating the need for tools when accessing the driver. This luminaire is suitable for row-mounting.

Finish

Pre-painted, high-reflectance white housing.

Electrical

Long life LED's coupled with high efficiency drivers provide quality illumination. Rated to deliver L80 performance > 50,000 hours. Supplied with dimmable drivers (0-10v). System efficacy of at least 100 lumens per watt for standard units.

Approvals

Approved to CSA and UL standards. Suitable for damp locations.

Warranty

5 year limited warranty. For complete warranty terms visit: http://viscor.com/assets/Viscor_LED_Warranty.pdf

Features

- Shallow design
- Available in lengths from 24 to 96 inches
- Clear, acrylic diffuser with prismatic bottom and ribbed linear sides
- Diffuser self-aligns and hinges from either side for easy maintenance
- Continuous row-mounting capability
- Standard low voltage dimming (0-10v)

Options & Adders

- Emergency lighting battery pack
- Joiner band
- Speedy hangers
- Stem and canopy sets

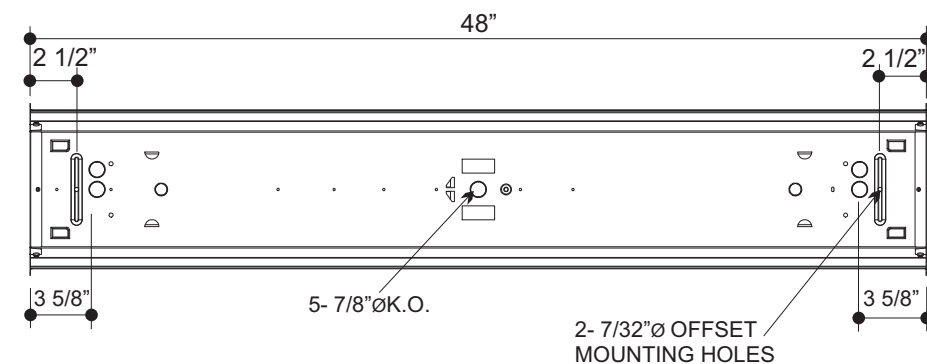
Applications

- Stairwells
- Corridors
- Utility Areas
- Kitchens

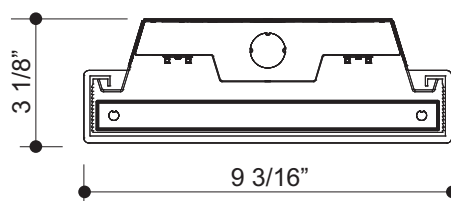
LED

INDUSTRIAL/COMMERCIAL LIGHTING

Dimensions



Back View



End View

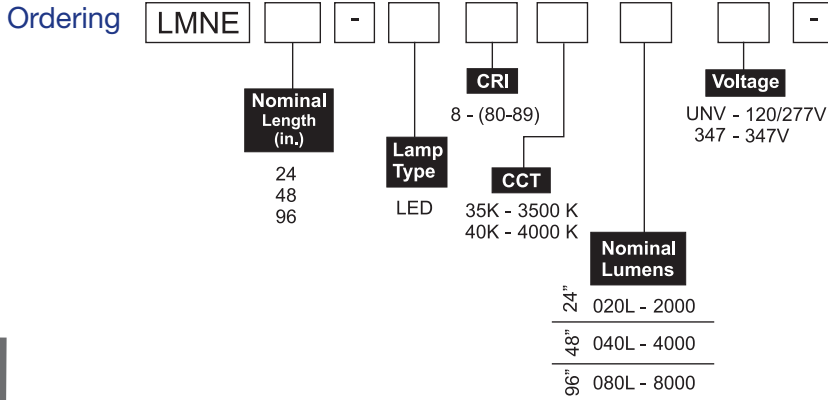
Project
Type
Date
Cat #

LMNE LED Magic Neutron

Premium-Grade Surface-Mounted Compact Wrap-Around Luminaire



Photometrics - Please consult www.viscor.com for photometric results.



[] **Options**

Driver Options

- B39 Emergency Lighting Battery Pack - LED

Mounting Options (select one only)

- M04 Mounting - Lens Divider Plate (Available for 8-ft units)
- M15 Mounting Joiner Band

Packaging Options (select one only)

- K0 Pack Bulk/ Pallet Packed and/or Wrapped
- K1 Pack Single

Example:

LMNE48-LED835K040LUNV

Other options may be available consult factory.
 * Specifications and data subject to change without notice.
 Lumens Delivered to be verified by lab.

Size	Nominal Lumens	Watts
24-in	020L (2000)	20
48-in	040L (4000)	40
96-in	080L (8000)	80

Mounting Accessories (Ordered Separately)

- KIT00003 STEM & CANOPY SET 3/8"IP (2) 4FT.M26
- KIT00044 STEM & CANOPY SET SLOPED CEILINGS (2) 3FT.M29
- KIT00045 STEM & CANOPY SET SLOPED CEILINGS (2) 4FT.M29
- KIT00046 STEM & CANOPY SET SLOPED CEILINGS (2) 6FT.M29
- KIT00047 STEM & CANOPY SET 3/8"IP (2) 2FT.M26
- KIT00048 STEM & CANOPY SET 3/8"IP (2) 1FT.M26
- KIT00050 STEM & CANOPY SET 3/8"IP (2) 3FT.M26
- KIT00053 STEM & CANOPY SET 3/8"IP (2) 6FT.M26

LED
INDUSTRIAL/COMMERCIAL LIGHTING