

NOTES

- Installation should be completed by an individual familiar with the construction and operation of the luminaire.
- Installation of luminaire must be in accordance with nation and local building and electrical codes.
- Carefully read and follow all warnings and instructions before installing or servicing the luminaire.
- Instructions do not cover all details and all possible product configurations
- Do not restrict luminaire ventilation.
- Ensure LED luminaire is not covered with material that will prevent convection or conduction cooling.
- Do not exceed luminaire's maximum ambient temperature.
- Ensure LED luminaire has the correct polarity before installation.
- Based on maximum voltage restrictions for class 2 circuits in Canadian Electrical Code, the output cannot be accessible. This product has accessible output terminals. This product complies with this requirement since the installation instruction requires installation in Restricted Access Area.

WARNINGS

Electric shock:

- Disconnect or turn off power before installing or servicing luminaire.
- All electrical wiring to be completed by a qualified licensed electrician in accordance with local and National/Canadian Electrical Code.
- Ensure supply voltage corresponds with the correct ballast/driver voltage.
- Avoid exposing wiring to metal edges and sharp objects.
- Ensure that the luminaire is properly grounded to prevent electric hazards.

Fire:

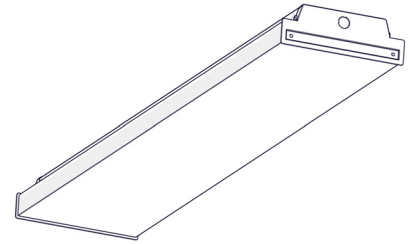
- Keep flammable and combustible materials away from the light source and/or lens.
- Use correctly rated supply conductors as indicated by product labeling.

Burn:

- Allow luminaire to cool before handling luminaire.

Personal Injury:

- Wear safety glasses and gloves when handling the luminaire to avoid physical injury.
- Avoid direct eye contact with light source.
- Always support the weight of the luminaire.



Viscor Inc. is not responsible for any injuries due to the improper installation of handling of its products.

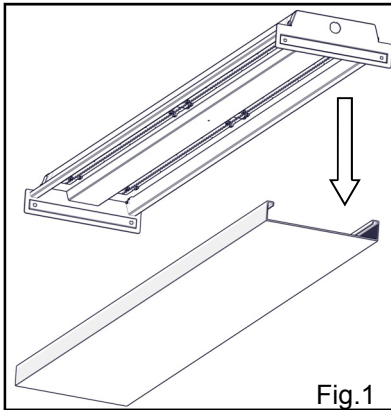


Fig.1

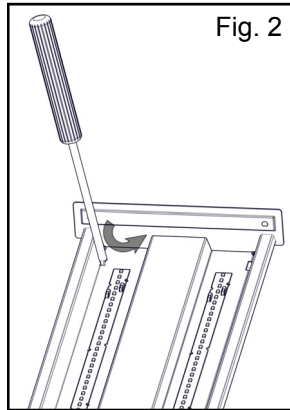


Fig. 2

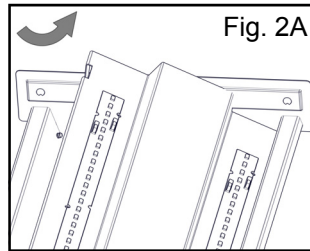


Fig. 2A

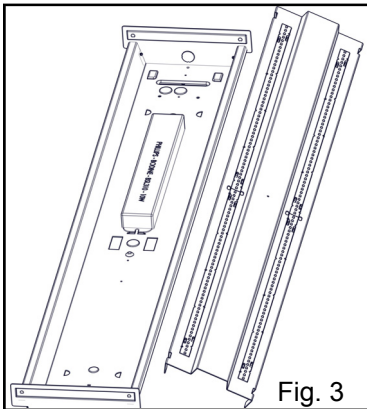


Fig. 3

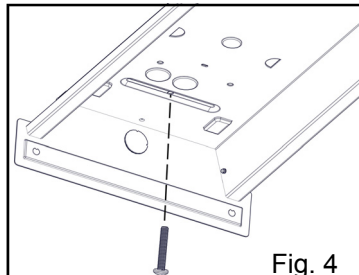


Fig. 4

1. Carefully remove luminaire from packaging.
2. Disconnect main power from panel.
3. Remove lens from luminaire Fig.1.
4. Pry open on one side only the LED tray

cover at one end and at other end. (Do not remove screws which are used to retain end caps) Fig.2 & Fig.2A

5. Remove tether cable from housing and disconnect LED power cable from LED driver. (place tray in safe place to avoid damage) Fig.3
6. Determine the location of the junction box and remove the corresponding K.O. on the luminaire and install any strain relief connector (by others) as required by local electrical codes.
7. Pull electrical supply wires through the knockout hole and into the luminaire.
8. Mount the luminaire to the mounting surface using wood screws or appropriate hardware (by others). If no joists are present, use toggle bolts (by others). Fig.4
9. Make the necessary wiring connections and ground connections in accordance with local electrical and /or building codes.
10. Re-install LED tray cover.
11. Re-install lens for standard unit. Installation complete.