

## NOTES

- Installation should be completed by an individual familiar with the construction and operation of the luminaire.
- Installation of luminaire must be in accordance with nation and local building and electrical codes.
- Carefully read and follow all warnings and instructions before installing or servicing the luminaire.
- Instructions do not cover all details and all possible product configurations
- Do not restrict luminaire ventilation.
- Ensure LED luminaire is not covered with material that will prevent convection or conduction cooling.
- Do not exceed luminaire's maximum ambient temperature.
- Ensure LED luminaire has the correct polarity before installation.
- This product has maximum rated output of 55Vdc. This output complies with the definition of Class 2 per Canadian Electrical Code. This output cannot be accessible based on maximum voltage restrictions for Class 2 circuits in Canadian Electrical Code. This product complies with this requirement since the installation instruction requires installation in restricted access area.
- Do not mount the luminaire to ceiling if convenience outlet option is provided.
- Do not use the luminaire housing as junction box cover unless the housing width is wider than the junction box.

## WARNINGS

### Electric shock:

- Disconnect or turn off power before installing or servicing luminaire.
- All electrical wiring to be completed by a qualified licensed electrician in accordance with local and National/Canadian Electrical Code.
- Ensure supply voltage corresponds with the correct ballast/driver voltage.
- Avoid exposing wiring to metal edges and sharp objects.
- Ensure that the luminaire is properly grounded to prevent electric hazards.

### Fire:

- Keep flammable and combustible materials away from the light source and/or lens.
- Use correctly rated supply conductors as indicated by product labeling.

### Burn:

- Allow luminaire to cool before handling luminaire.

### Personal Injury:

- Wear safety glasses and gloves when handling the luminaire to avoid physical injury.
- Avoid direct eye contact with light source.
- Always support the weight of the luminaire.

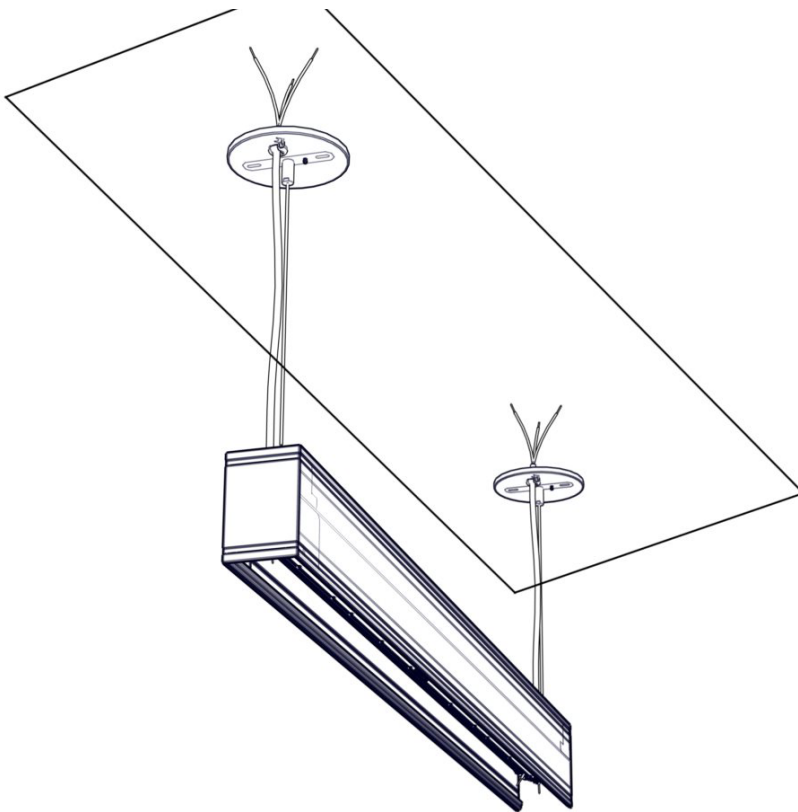
Viscor Inc. is not responsible for any injuries due to the improper installation of handling of its products.

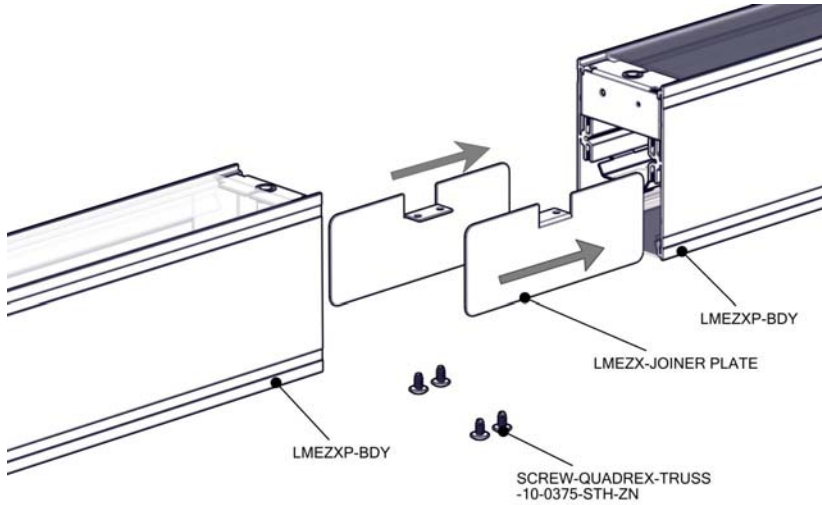
Step 1. Disconnect power and carefully remove luminaire from packaging.

Step 2. Install canopy sets (cross bar, threaded rod, canopy, cable coupler, AC cable, power cord) and connect power cord. For spacing refer to table provided. Canopy set with power cord only at the ends of row.

Step 3. Remove fixture cover and lens on first fixture of row. Assemble mounting plate and mini gripper using ¼-20x0.375 screw and fasten to the fixture open end (for fixture with both ends open fasten assembly only on one end). Install mini gripper via ¼-20 threaded rod (provided) to closed end of the first fixture of row.

Step 4. Starting at the end of the row hang the fixture inserting AC cables through mini grippers. Adjust suspension height as required and level the fixture.





## For Continuous Row Mounting:

Step 1. Disconnect power and carefully remove luminaire from packaging.

Step 2. Insert side joiner plates bring loose end of the next unit and slide in visible portion of joiner plates until fixture housings are joined.

Step 3. Insert #10x.375 fastener and tighten until fixtures are firmly attached and fasten second mounting plate screw.

Step 4. Repeat steps until row is complete

Step 5. Connect power to the first fixture utilizing strain relief (provided) and make wiring connections according to local electrical cod.

Step 6. Reinstall covers and reinstall bottom lenses.

