

Project
Type
Date
Cat #

Application Features

Specification-grade direct/indirect luminaire, thermally designed for high or low bay applications. This LED fixture is available in multiple lumen packages and various mounting options.



Specifications

Optics

Standard white micro radial louver c/w acrylic overlay.

Mounting

This luminaire is specifically designed for suspended mount applications, including stem, chain & adjustable aircraft cable. Suitable for row mounting. Mounting kits available (ordered separately).

Construction

CNC fabricated, code gauge steel housing and ends, with integral ventilation slots.

Finish

Polyester powder painted visible surfaces (see finish options).

Electrical

CSA/UL approved electronic components. Long life LEDs coupled with high efficiency drivers, provide quality illumination.

Approvals

Approved to CSA and UL standards. Suitable for damp locations.

Warranty

5 year limited warranty. For complete warranty terms visit: http://viscor.com/assets/Viscor_LED_Warranty.pdf



Features

- Ideal for high bay or low bay applications
- Sleek design complements any interior
- 80+ CRI
- Standard low voltage dimming (0-10v)
- Suitable for row mounting
- 4000K Standard

Options & Adders

- Mounting u-brackets for stem mounting
- Emergency lighting battery pack
- Flexible cord feed
- 5000K

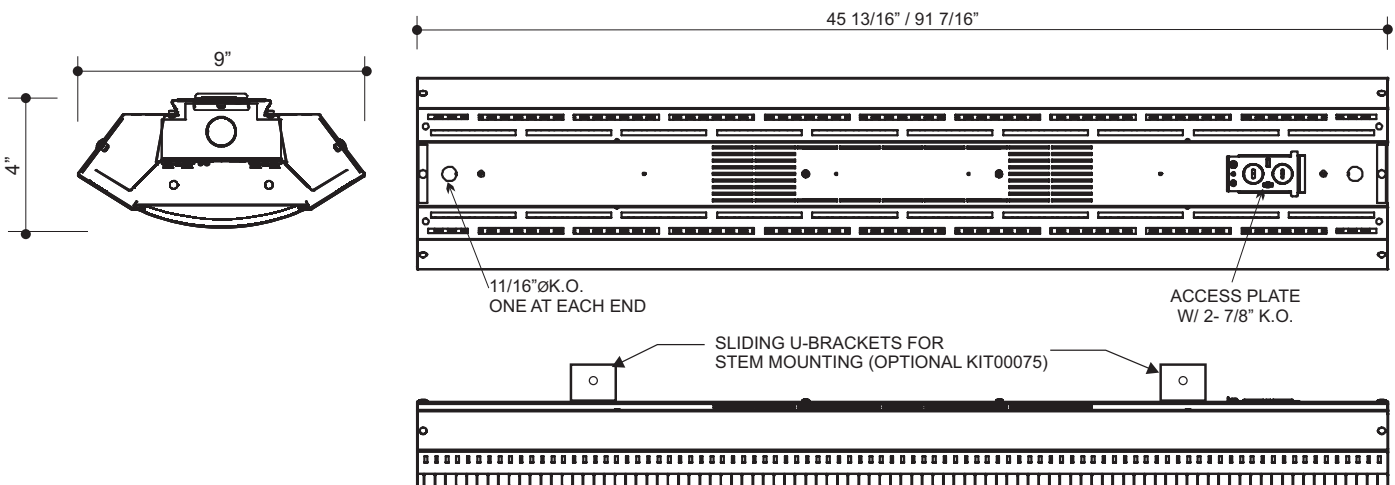
Applications

- Schools
- Retail Stores
- Industrial
- Showrooms
- Atriums

LED

HIGHBAY LIGHTING

Dimensions



Project
Type
Date
Cat #

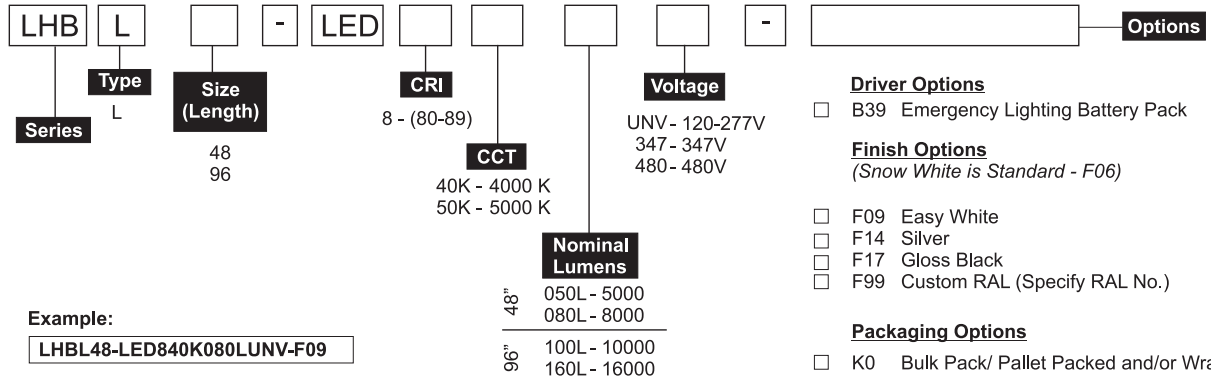
LHBL LED Pendant Mount High Bay L

Specification-Grade Direct/Indirect High or Low Bay Luminaire



Photometrics - Please consult www.viscor.com for photometric results.

Ordering



Example:

LHBL48-LED840K080LUNV-F09

Other options may be available consult factory.
Specifications and data subject to change without notice.
Lumens Delivered to be verified by lab.

* Consult factory.

Size	Nominal Lumens	Watts
48	50L	55
	80L	80
96	100L	110
	160L	160

Mounting Accessories (Ordered Separately)

- KIT00001 MOUNTING CHAIN SET (2) 4FT W/ S-HOOKS.M10
- KIT00002 MOUNTING SPEEDY HANGERS (2).M23
- KIT00003 MOUNTING STEM & CANOPY SET 3/8"IP (2) 4FT.M26
- KIT00004 AIRCRAFT "Y" CABLE (10FT) WITH ADJUSTABLE GRIP (2).M36
- KIT00027 AIRCRAFT "Y" CABLE WITH ADJUSTABLE COUPLER & CANOPY-KIT
- KIT00043 AIRCRAFT CABLE WITH ADJUSTABLE GRIPPER & CANOPY KIT (2)
- KIT00075 ADJUSTABLE U-BRACKETS FOR STEM MOUNTING

LED
HIGHBAY LIGHTING