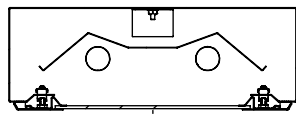
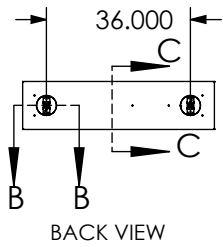
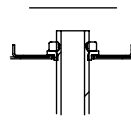


INSTALLATION INSTRUCTION SHEET

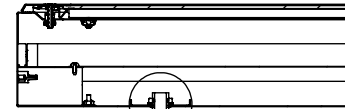
CRS3555 Pendant



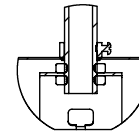
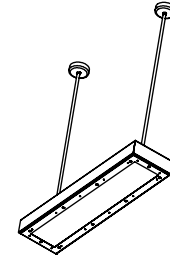
SECTION C-C
SCALE 1 : 8



DETAIL D
SCALE 1 : 4

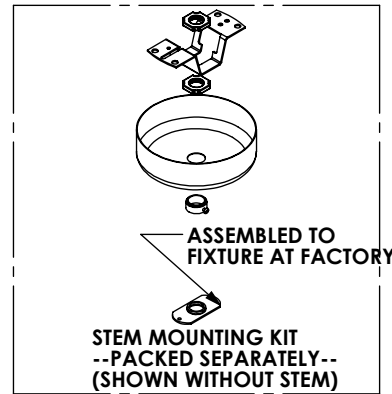
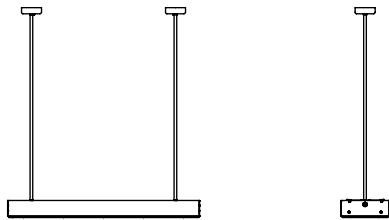


SECTION B-B
SCALE 1 : 8



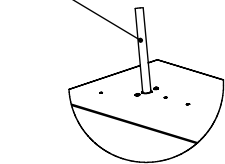
DETAIL B
SCALE 1 : 4

1. Disconnect mains power.
2. Open the fixture door frame by removing the 10-24 flathead screws. Disconnect the door frame aircraft cable from slot and safely put door aside.
3. Remove the screws to remove the reflector / cover.
4. Secure the fixture to ceiling at its intended location using 2x stem kits. Use any required additional mounting hardware (supplied by others) as required.
5. Power can be fed though any stem at electrician's discretion. Make wiring connections. Ensure the fixture is properly grounded to the fixture ground stud.
6. Re-attached the Reflector/Cover. Add appropriate lamps.
7. Re-attached the door frame with its aircraft cable into slot on housing. Re-secure the door frame with the 10-24 flathead screws.



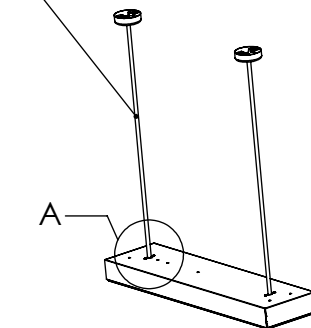
STEM MOUNTING KIT
--PACKED SEPARATELY--
(SHOWN WITHOUT STEM)

STEM KIT (WITH HARDWARE)



DETAIL A
SCALE 1 : 16

STEM KIT - PACKED SEPARATELY.



CAUTION: INSTALL IN COMPLIANCE TO ALL APPLICABLE ELECTRICAL AND BUILDING CODES. INSTALLATION MUST BE PERFORMED BY QUALIFIED PERSONNEL.
***** SHOCK HAZARD. DISCONNECT ALL POWER BEFORE PERFORMING INSTALLATION *****

WARNING: ELECTRICAL SHOCK POTENTIAL !! DO NOT ATTEMPT TO INSTALL, MAINTAIN OR RELAMP WITHOUT DIS-CONNECTING ALL POWER, FAILURE TO DISCONNECT POWER CAN RESULT IN ELECTROCUTION, SHOCK OR SEVERE BURNS. ONLY QUALIFIED PERSONNEL TO CONDUCT INSTALLATION.

PROPRIETARY AND CONFIDENTIAL

THE INFORMATION CONTAINED IN THIS DRAWING IS THE SOLE PROPERTY OF CERTOLUX - DIVISION OF VISIONEERING CORP. ANY REPRODUCTION IN PART OR AS A WHOLE WITHOUT THE WRITTEN PERMISSION OF CERTOLUX IS PROHIBITED.

	NAME	DATE
Last Saved	rdoucef	5/29/2015
CHECKED		



CERTOLUX
SPECIALTY LUMINAIRES

UNLESS OTHERWISE SPECIFIED:

DIMENSIONS ARE IN INCHES
ANGULAR: BEND ±1
ONE PLACE DECIMAL ±0.030
TWO PLACE DECIMAL ±0.015
THREE PLACE DECIMAL ±0.005

ERP #:	IIS00061	REVISION:	01
Title			
Part Name:	3555FG14M26-2T8-18GA20GA-F06P13		
Description:	CLEANROOM SERIES MODEL CRS3555, PENDANT MOUNTING STYLE		
MATERIAL:		FINISH:	NONE
SIZE:	A	SCALE:	
			SHEET 1 OF 1