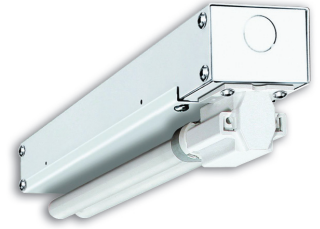


Project
Type
Date
Cat #

Application Features

Specification-grade, compact fluorescent strip fixture. For use in indoor applications. This fixture's compact design makes it ideal for task /display lighting applications.



Specifications

Mounting

Mounting holes are provided.

Construction

Die and brake-formed, code gauge, pre-painted white steel.

Finish

Pre-painted, high-reflectance white housing.

Electrical

Sufficient knockouts are provided for connections and through wiring.

Approvals

Approved to CSA and UL standards.

Features

- Shallow and narrow design
- Available in one lamp model only (PLL and PLS configurations)
- Continuous row-mounting capability
- Heavy-duty construction

Options & Adders

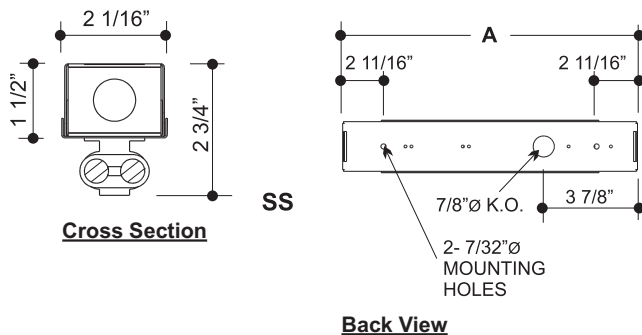
- In-line fuse holder

Applications

- Coves
- Display Cabinets
- Task Lighting

INDUSTRIAL/COMMERCIAL LIGHTING

Dimensions



MODEL	LAMP	LENGTH A (in.)	NOMINAL LAMP LENGTH A (in.)
106	7	6	5.3
109	9	9	6.6
	13		7.3
112	18	12	10.5
115	24	15	12.8
118	36	18	16.5
124	40/50/80	24	22.5
	50/55		21.5

