



Project
Type
Date
Cat #

Application Features

Premium-grade, pendant-mount, bi-directional luminaire. The Allura features an architectural slim profile with soft curves to enhance the visual space, and is available with row-mounting capability. This pendant-mount luminaire comes with a double teardrop shaped frosted diffuser that offers a high level of efficiency and visual comfort.

Specifications

Optical System

Linear extruded frosted acrylic diffusers offer high levels of efficiency and visual comfort. The bi-directional optics provide a wide, uniform light distribution.

Mounting

Single-point aircraft cable mounting system used at each hanging location.

Construction

Precision-formed steel housing assembly.

Finish

Polyester powder painted finish.

Electrical

Long life LEDs coupled with high efficiency drivers provide quality illumination. Rated to deliver L80 performance > 50,000 hours.

Approvals

Approved to CSA/UL standards.
Suitable for damp locations.



Warranty

5 year limited warranty. For complete warranty terms visit:
http://viscor.com/assets/Viscor_LED_Warranty.pdf

Features

- Double teardrop extruded diffusers
- Standard low voltage dimming (0-10v, 1%)
- Suitable for row-mounting
- Standard 4-ft 5-wire white cord

Options & Adders

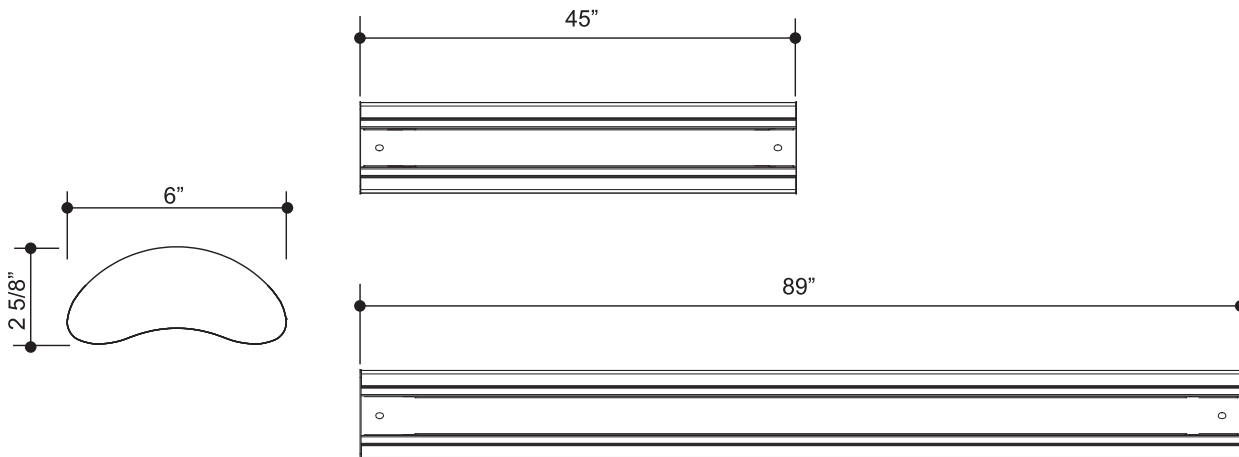
- Aircraft cable power feed suspension kit
- Emergency lighting battery pack

Applications

- Boardrooms
- Corridors
- Retail Stores and Supermarkets
- Studio Lofts
- Offices

LED
ARCHITECTURAL LIGHTING

Dimensions



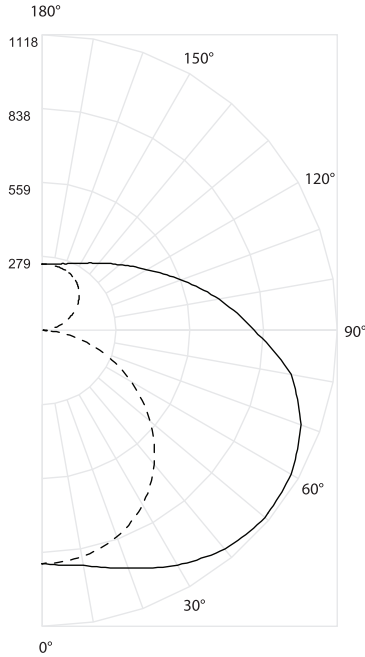
Project
Type
Date
Cat #

ALLURA B LED Linear Pendant B

Premium-Grade Pendant-Mounted Linear Luminaire



Photometrics



0° —————
90° - - - - -
30% UP / 70% DOWN
Data is based on:
ALRB48-LED840K060LUNV

Zonal Lumens Summary

Zone	Lumens	% Fixture
0°-30°	754	11.8
0°-90°	4434	69.3
90°-130°	1360	21.2
90°-180°	1968	30.7
0°-180°	6402	100

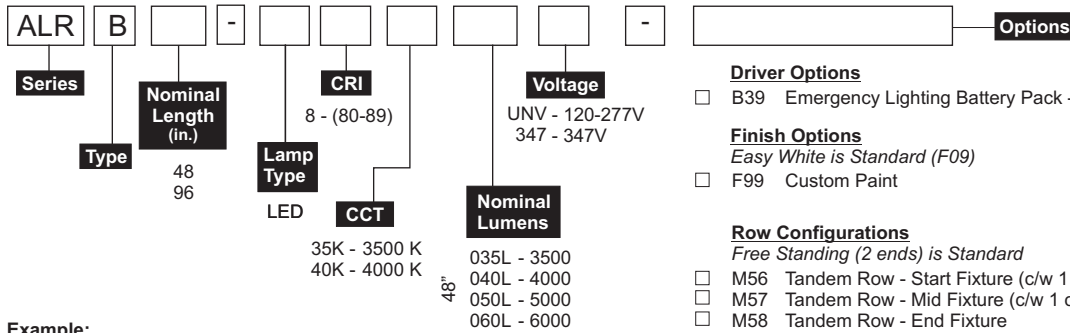
Nominal Size	Nominal Lumens	Watts
48	035L	29
	040L	34
	050L	43
	060L	51
96	070L	58
	080L	68
	100L	86
	120L	102

Luminance Data (CD/M²)

Vertical Angle	0°	45°	90°
45°	4803	5990	7663
55°	4533	6356	8944
65°	4143	6950	10777
75°	3616	8340	13828
85°	2170	12086	20192

ARCHITECTURAL LIGHTING

Ordering



Example:

ALRB48-LED840K060LUNV

Custom configurations available.
Specifications and data subject to change without notice. Consult factory.

Driver Options

- B39 Emergency Lighting Battery Pack - LED

Finish Options

- Easy White is Standard (F09)
- F99 Custom Paint

Row Configurations

- Free Standing (2 ends) is Standard
- M56 Tandem Row - Start Fixture (c/w 1 connector)
- M57 Tandem Row - Mid Fixture (c/w 1 connector)
- M58 Tandem Row - End Fixture

Wiring Options

- V92 Daylight/Occupancy Sensor - Philips EasySense

Mounting Accessories (Ordered Separately)

- KIT00124 CABLE SUSPENSION POWER FEED KIT 48IN.
(for additional power feed cables)

Row Configurations

