



Project
Type
Date
Cat #

### Application Features

Premium-grade, pendant-mount, bi-directional luminaire. The Allura features an architectural slim profile with soft curves to enhance the visual space, and is available with row-mounting capability. This pendant-mount luminaire comes with a double teardrop shaped frosted diffuser that offers a high level of efficiency and visual comfort.

### Specifications

#### Optical System

Linear extruded frosted acrylic diffusers offer high levels of efficiency and visual comfort. The bi-directional optics provide a wide, uniform light distribution.

#### Mounting

Single-point aircraft cable mounting system used at each hanging location.

#### Construction

Precision-formed steel housing assembly.

#### Finish

Polyester powder painted finish.

#### Electrical

Long life LEDs coupled with high efficiency drivers provide quality illumination. Rated to deliver L80 performance > 50,000 hours.

#### Approvals

Approved to CSA/UL standards.

Suitable for damp locations.



#### Warranty

5 year limited warranty. For complete warranty terms visit:

[http://viscor.com/assets/Viscor\\_LED\\_Warranty.pdf](http://viscor.com/assets/Viscor_LED_Warranty.pdf)

### Features

- Double teardrop extruded diffusers
- Standard low voltage dimming (0-10v, 1%)
- Suitable for row-mounting
- Standard 4-ft 5-wire white cord

### Options & Adders

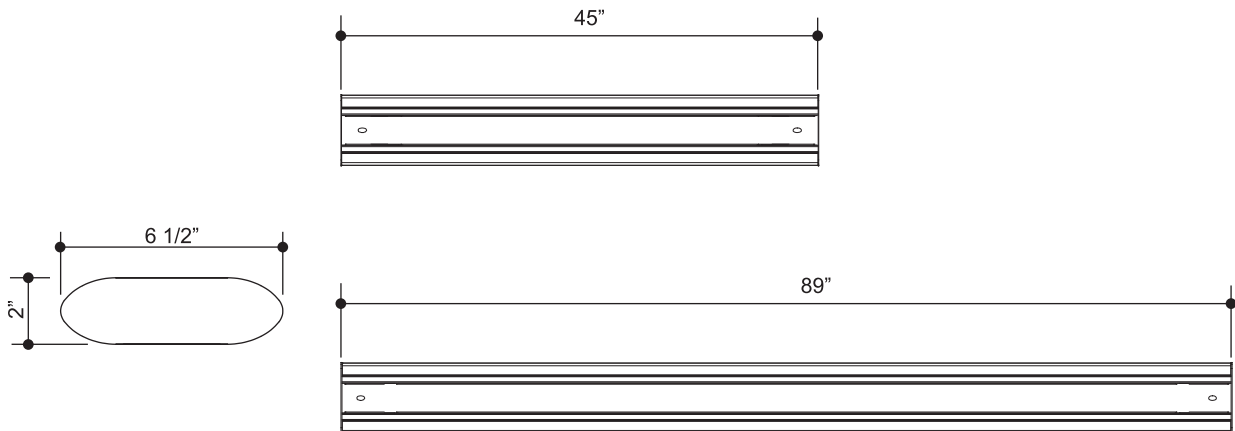
- Aircraft cable power feed suspension kit
- Emergency lighting battery pack

### Applications

- Boardrooms
- Corridors
- Retail Stores and Supermarkets
- Studio Lofts
- Offices

ARCHITECTURAL LIGHTING

### Dimensions



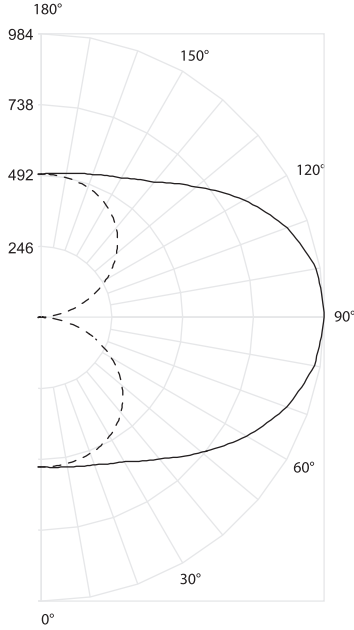
Project
Type
Date
Cat #

# ALLURA A LED Linear Pendant A

Premium-Grade Pendant-Mounted Linear Luminaire



## Photometrics



### Zonal Lumens Summary

Zone	Lumens	% Fixture
0°-30°	442	6.9
0°-90°	3254	51.1
90°-130°	1978	31.1
90°-180°	3110	48.9
0°-180°	6364	100

Nominal Size	Nominal Lumens	Watts
48	035L	29
	040L	34
	050L	43
	060L	51
96	070L	58
	080L	68
	100L	86
	120L	102

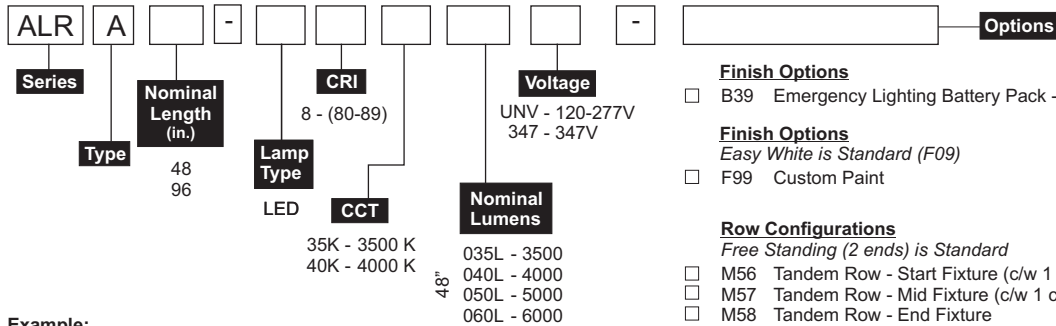
### Luminance Data (CD/M<sup>2</sup>)

Vertical Angle	0°	45°	90°
45°	3222	3819	4800
55°	3203	4412	6333
65°	3086	5335	8761
75°	2807	7069	12941
85°	1734	11719	22350

0° —————  
 90° - - - - -  
 50% UP / 50% DOWN  
 Data is based on:  
 ALRA48-LED840K60LUNV

ARCHITECTURAL LIGHTING

## Ordering



### Example:

**ALRA48-LED840K60LUNV**

Custom configurations available.  
 Specifications and data subject  
 to change without notice. Consult factory.

### Finish Options

- B39 Emergency Lighting Battery Pack - LED

### Finish Options

- Easy White is Standard (F09)
- F99 Custom Paint

### Row Configurations

Free Standing (2 ends) is Standard

- M56 Tandem Row - Start Fixture (c/w 1 connector)
- M57 Tandem Row - Mid Fixture (c/w 1 connector)
- M58 Tandem Row - End Fixture

### Wiring Options

- V92 Daylight/Occupancy Sensor - Philips EasySense

### Mounting Accessories (Ordered Separately)

- KIT00124 CABLE SUSPENSION POWER FEED KIT 48IN.  
 (for additional power feed cables)

### Row Configurations

